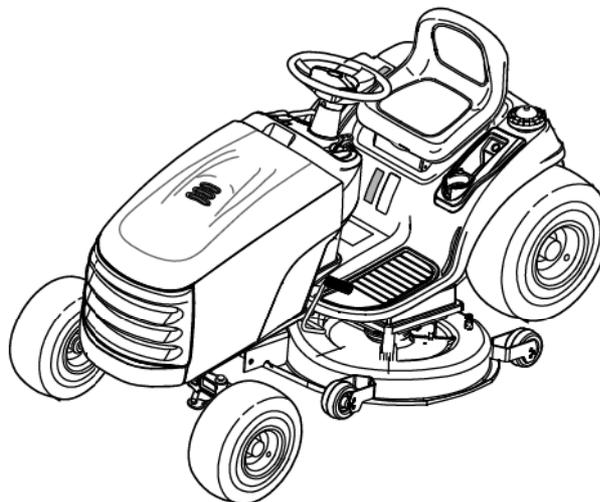




Parts Manual



Regent Series Lawn Tractors & Mower Decks

Products

Mfg. No.	Description
2691218-00	ELT17542F, 17.5 Gross HP B&S Hydro (Export)
2691218-01	ELT17542F, 17.5 Gross HP B&S Hydro (Export)
2691262-00	Regent EX2246, 22 Gross HP B&S Hydro and 46" Mower Deck (Export)

Mower Decks

Mfg. No.	Description
1696440-00	42" Mower Deck
1696440-01	42" Mower Deck
1696586-00	46" Mower Deck (CE/Export)

Manual Part No. 1758062
Revision D
Rev. Date: 2/3/2015

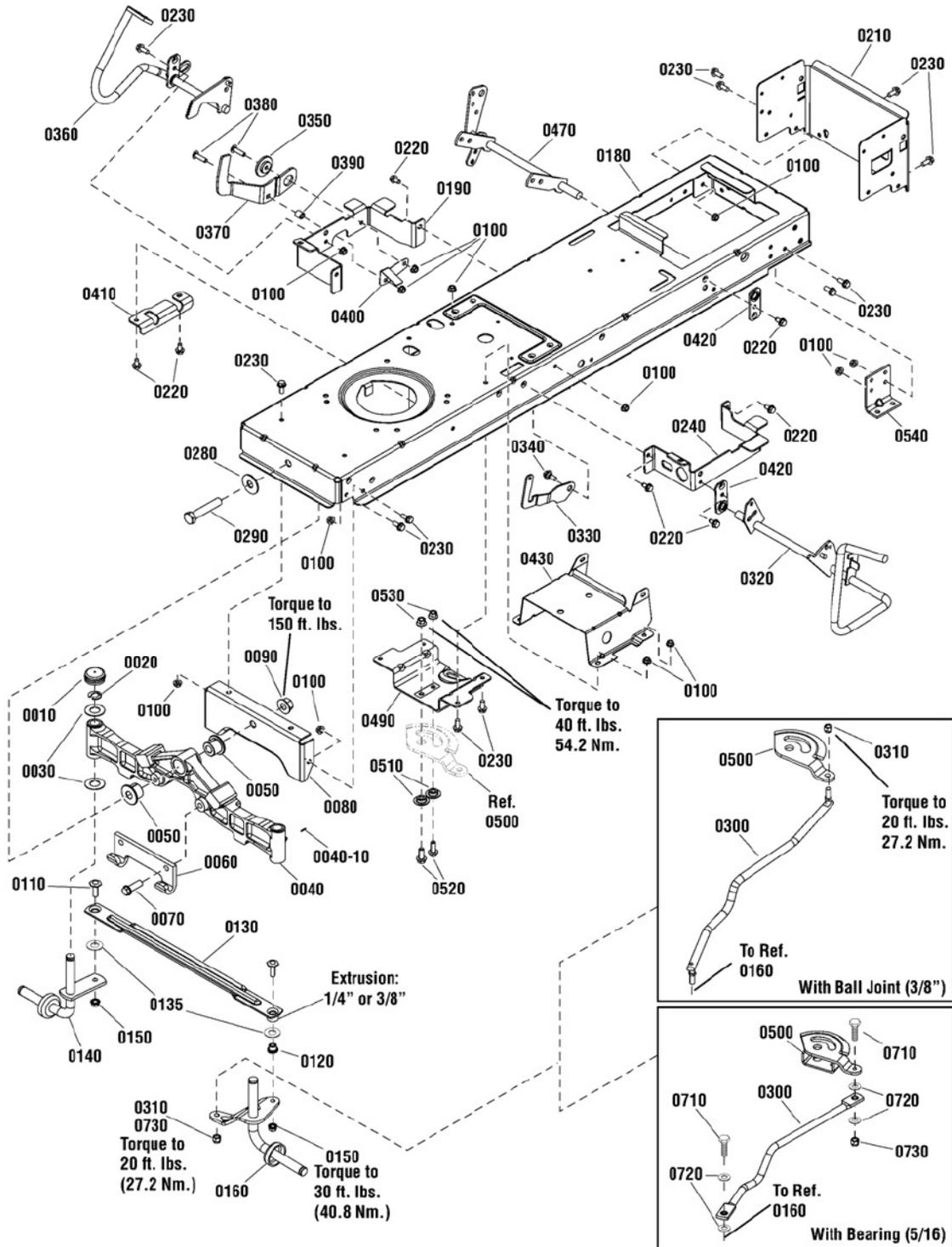
Not for
Reproduction

PRODUCT COMPONENTS	PAGES
Frame & Front Axle Group	4
Steering Group	8
Steering Group	10
Engine Group - 18.5, 20 & 22 Gross HP Briggs & Stratton	12
Engine Group - Briggs & Stratton	16
Transmission Group - Hydro Gear	18
Transmission Group	20
Controls Group	22
Controls Group	24
Electrical Group	26
Electrical Group	28
Hood Grille & Dash Group	32
Hood, Grille & Dash Group	34
Seat Deck & Fuel Tank Group	36
Seat Deck & Fuel Tank Group	38
Lift Group - Manual	40
Lift Group - Roller Bar, Manual	42
Wheels & Tires Group	44
Wheels & Tires Group	46
Decals Group	48
Decals Group	50
French Guard Group	52
42" Mower Deck - Clutch Group	54
42" Mower Deck - French Guard Group	56
42" Mower Deck - Height Adjustment	58
42" Mower Deck - Housing, Arbors & Blades Group	60
46" & 52" Mower Deck - Clutch Group	62
46" & 52" Mower Deck - Height Adjustment & Roller Bar Group	64
46" & 52" Mower Deck - Housing, Arbors & Blades Group	66
Torque Specification Chart	Inside Back Cover

Frame & Front Axle Group

2986847

NOTE: Unless noted otherwise, use the standard hardware torque specification chart.



The above parts group applies to the following Mfg. Nos.:

- 2691218-00 - ELT17542F
- 2691218-01 - ELT17542F
- 2691262-00 - Regent EX2246

Frame & Front Axle Group

REF NO	PART NO.	QTY.	DESCRIPTION
0010	1734135	2	CAP, Hub
0020	1611710	2	RING, Klipring Extension
0030	1960160	4	WASHER, 3/4
0040	1728018	1	AXLE, Front Iron Casting Machined
0040-10	1704314	3	FITTING, Zerk
0050	1730186	2	BUSHING, Axle Pivot
0060	1721918A	1	HOOK, "J"
0070	1960652	2	CAPSCREW, Hex Whizlock Flange, 7/16-14 x 1-1/2
0080	1727902A	1	PLATE, Axle Support
0090	2860646	1	NUT, Hex Flange Two-Way Lock, 5/8-11
0100	1931277	24	NUT, Hex, Flange Whizlock, 5/16-18
0110	1960032	2	CAPSCREW, Hex Head, 3/8-16 x 1-1/4, .141 Thread G5
0120	1731912	2	BUSHING, Powdered Metal
0130	1728080A	1	TIE ROD, 3/8" extrusion
0130	1751964YP	1	TIE ROD, 1/4" extrusion (Use with Item 0135)
0135	1960703SM	2	WASHER, 5/8 (Use with Tie Rod 1751964YP)
0140	1727872A	1	SPINDLE & CUP ASSEMBLY, RH
0150	1930645	2	NUT, Hex, Flange, Locking, 3/8-16
0160	1751922YP	1	WHEEL SPINDLE ASSEMBLY, LH (Use on Drag Link w/Bearing, 5/16")
0160	1727873A	1	WHEEL SPINDLE ASSEMBLY, LH (Use on Drag Link w/Ball Joint, 3/8")
0180	-----	1	*FRAME Note* (Not a serviceable part)
0190	1727904A	1	SUPPORT, Front Footrest R.H.
0210	1731309A	1	SUPPORT, Rear Frame
0220	1930601	9	SCREW, Taptite, 5/16-18 x 5/8
0230	1930591	14	CAPSCREW, Hex Head, Flange Whiz Lock, 5/16-18 x 3/4
0240	1727905A	1	SUPPORT, Front Footrest L.H.
0280	1960035	1	WASHER, Flat, 5/8
0290	2860744	1	CAPSCREW, Hex Head, 5/8-11 x 3-1/4 G5
0300	1727868	1	LINK, Drag, with Ball Joint, 3/8
0300	1738051	1	LINK, Drag, with Bearing, 5/16
0310	1960747	2	NUT, Hex Nylock, 3/8-24
0320	1727252A	1	PEDAL ASSEMBLY, Brake
0330	1735595	1	LATCH, Brake Lock
0340	1729576	1	BOLT, Shoulder, 5/16-18 x 1-1/8
0350	1727935	1	SPACER, Pivot
0360	1727250A	1	PEDAL ASSEMBLY, Forward
0360	1736714A	1	PEDAL ASSEMBLY, Forward (42" & 46" Models Only)
0370	1727246	1	PEDAL, Reverse
0380	1960223	2	BOLT, Carriage, 5/16-18 x 1-1/4
0390	1728024	2	SPACER, Foot Pedal
0400	1728025	1	ACTUATOR, RMO Switch
0410	1727909	1	BRACKET, Pedal Pivot
0420	1727911	2	PLATE, Bearing
0430	1727282	1	SUPPORT, Battery

Footnotes

The above parts group applies to the following Mfg. Nos.:

2691218-00 - ELT17542F

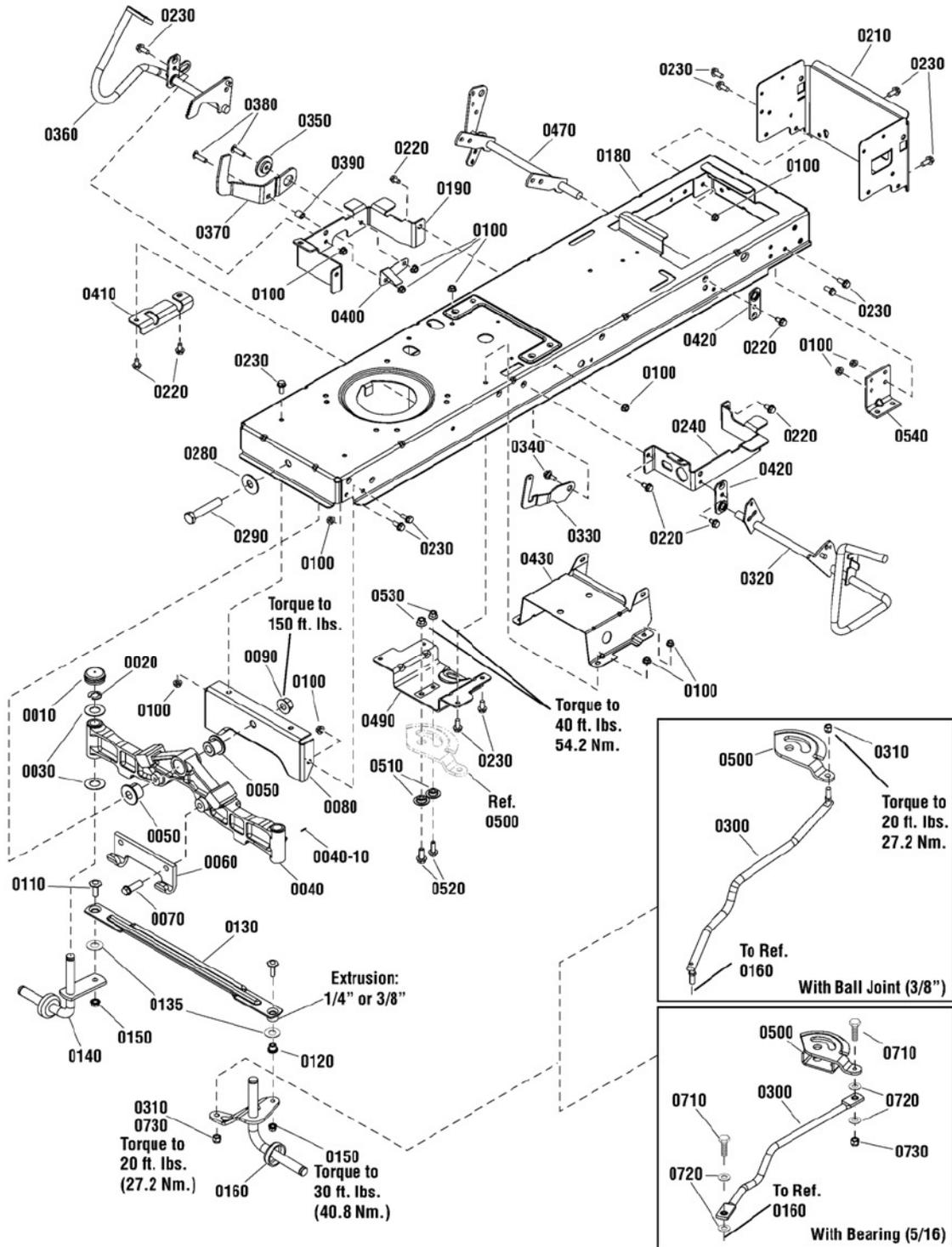
2691218-01 - ELT17542F

2691262-00 - Regent EX2246

Frame & Front Axle Group

2986847

NOTE: Unless noted otherwise, use the standard hardware torque specification chart.



The above parts group applies to the following Mfg. Nos.:

- 2691218-00 - ELT17542F
- 2691218-01 - ELT17542F
- 2691262-00 - Regent EX2246

Frame & Front Axle Group

REF NO	PART NO.	QTY.	DESCRIPTION
0470	1727951A	1	LIFT SHAFT ASSEMBLY
0490	1727940	1	BRACKET, Sector Support
0500	1728027	1	GEAR, Steering, 5/16
0500	1751110	1	GEAR, Steering, 3/8
0510	1728122	2	SPACER, Sector Gear
0520	1934654	2	SCREW, Hex Flange, Whiz Lock, 3/8-16 x 1
0530	1931211	2	NUT, Hex Flange, Whiz Lock, 3/8-16
0540	1727903	2	SUPPORT, Transmission
0710	1921977	2	CAPSCREW, Hex Head, 5/16-18 x 1-1/4, G5 (Use on Drag Link w/Bearing, 5/16")
0720	1924874	4	WASHER, 5/16 (Use on Drag Link w/Bearing, 5/16")
0730	1935048	2	NUT, Hex Flange, Two Way Lock, 5/16-18 (Use on Drag Link w/Bearing, 5/16")

Not for
Reproduction

Footnotes

The above parts group applies to the following Mfg. Nos.:

2691218-00 - ELT17542F

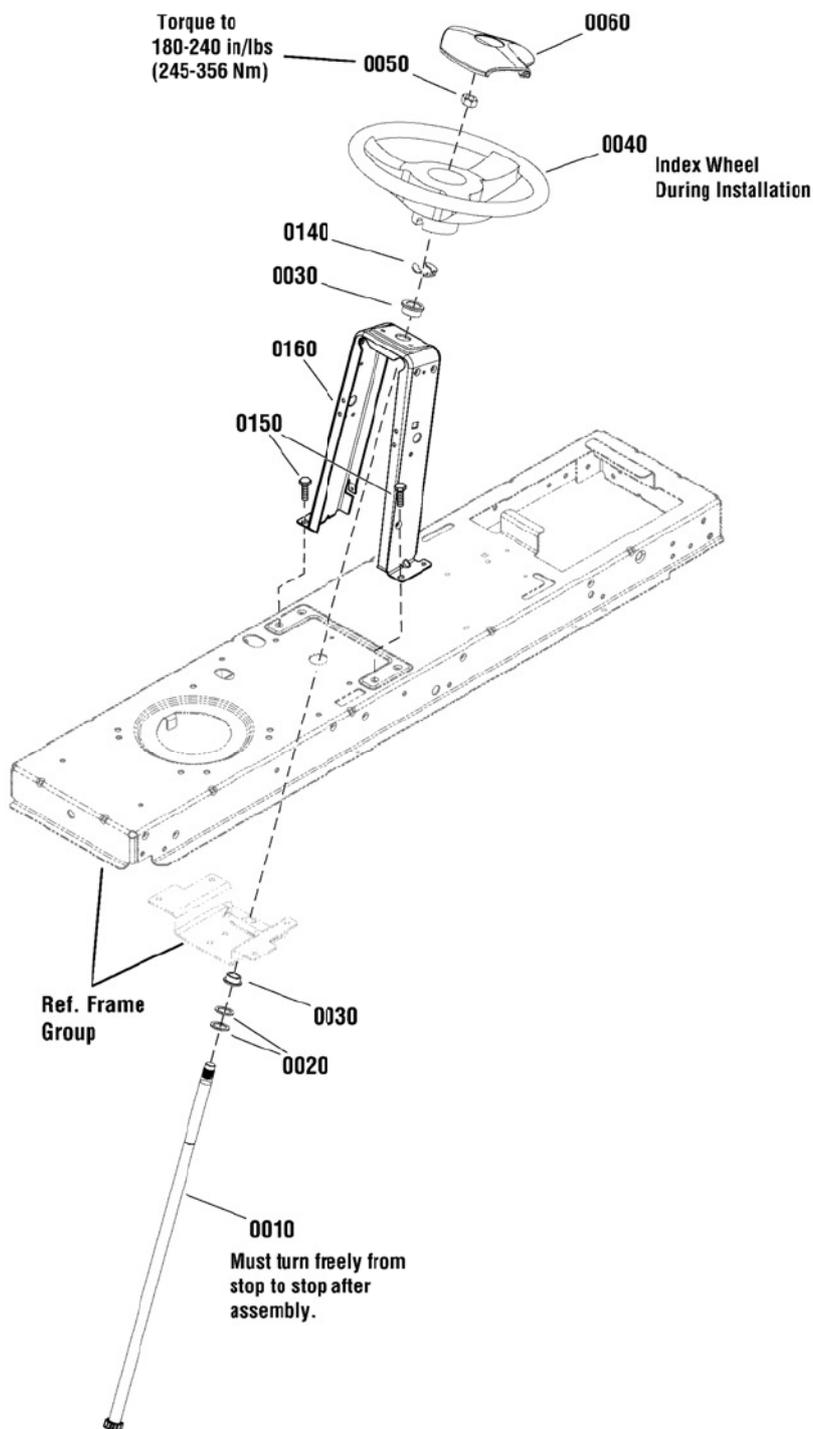
2691218-01 - ELT17542F

2691262-00 - Regent EX2246

Steering Group

2989455

NOTE: Unless noted otherwise, use the standard hardware torque specification chart.



The above parts group applies to the following Mfg. Nos.:

2691262-00 - Regent EX2246

Steering Group

REF NO	PART NO.	QTY.	DESCRIPTION
0010	1727813SM	1	SHAFT, Steering Gear & Spline Yellow
0020	1924366SM	2	WASHER, 5/8 x 1-1/8
0030	1729665SM	2	BUSHING, Steering
0040	1728069SM	1	STEERING WHEEL, w/Aluminum Insert
0040	7078088YP	1	STEERING WHEEL, Over-molded
0050	1960576SM	1	NUT, Hex Lock, ESNA Light, 5/8-18
0060	1722319SM	1	CAP, Steering Wheel (Decal Not Included)
0140	1611710SM	1	RING, Klipring Extension
0150	1930601SM	4	SCREW, Hex Washer Head, Taptite
0160	1727260ASM	1	TOWER

Not for
Reproduction

Footnotes

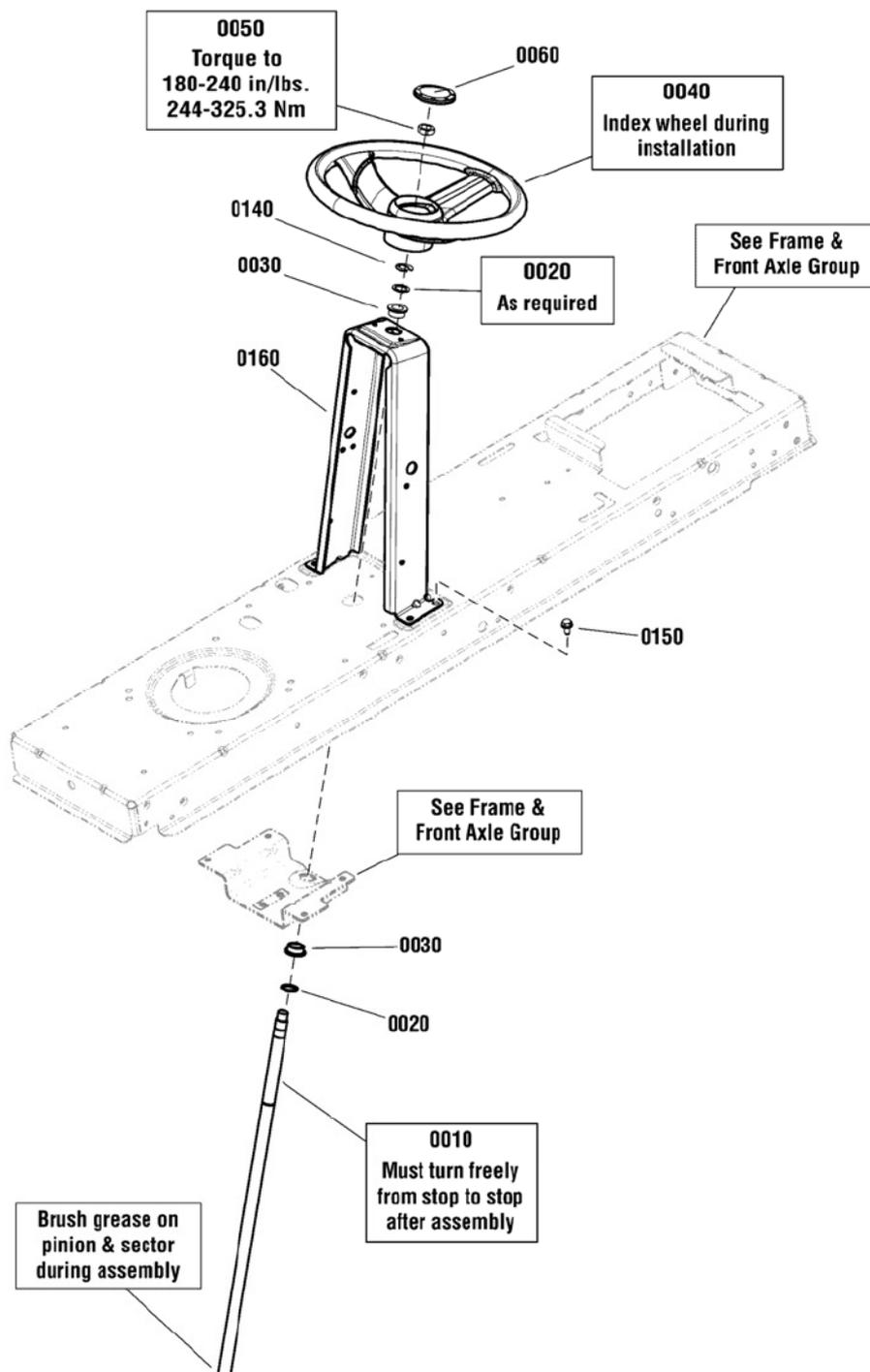
The above parts group applies to the following Mfg. Nos.:

2691262-00 - Regent EX2246

Steering Group

2989456

NOTE: Unless noted otherwise, use the standard hardware torque specification chart.



The above parts group applies to the following Mfg. Nos.:

2691218-00 - ELT17542F

2691218-01 - ELT17542F

Steering Group

REF NO	PART NO.	QTY.	DESCRIPTION
0010	1727813SM	1	SHAFT, Steering Gear & Spline Yellow
0020	703151	2	WASHER, Flat, 3/4
0030	1729665SM	2	BUSHING, Steering
0040	1728069SM	1	STEERING WHEEL, Aluminum Insert
0050	1960576SM	1	NUT, Hex Lock, ESNA Light, 5/8-18, Thin
0060	1725024SM	1	CAP, Steering Wheel, Plain
0140	1611710SM	1	RING, Klipring Extension
0150	1930601SM	4	CAPSCREW, Hex Washer Head, Taptite, 5/6-18 x 5/8
0160	885835BMYP	1	TOWER

Not for
Reproduction

Footnotes

The above parts group applies to the following Mfg. Nos.:

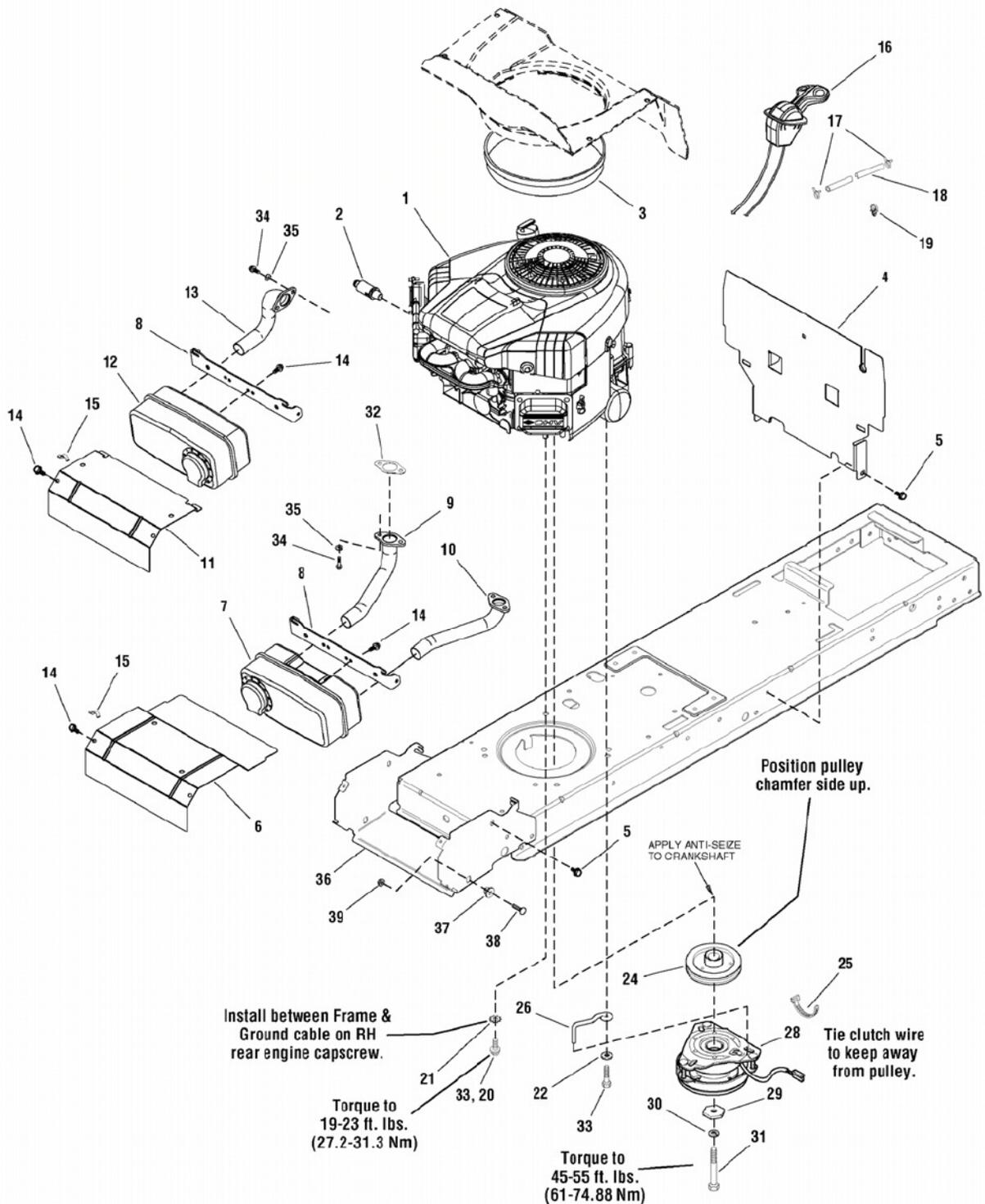
2691218-00 - ELT17542F

2691218-01 - ELT17542F

Engine Group - 18.5, 20 & 22 Gross HP Briggs & Stratton

987440

NOTE: Unless noted otherwise, use the standard hardware torque specification chart.



The above parts group applies to the following Mfg. Nos.:

2691262-00 - Regent EX2246

Engine Group - 18.5, 20 & 22 Gross HP Briggs & Stratton

REF NO	PART NO.	QTY.	DESCRIPTION
1	31Q777-0113-B1	1	* ENGINE, 18.5 Gross HP Briggs & Stratton ELS Single (Engine Model: 31Q777-0113-B1)
1	31P777-0147-B1	1	* ENGINE, 18.5 Gross HP Briggs & Stratton, Single Intek (Engine Model: 31P777-0147-B1)
1	331777-0119-B1	1	* ENGINE, 20 Gross HP Briggs & Stratton, Single Intek (Engine Model: 331777-0119-B1)
1	407777-0153-B1	1	* ENGINE, 22 Gross HP Briggs & Stratton Twin Intek (Engine Model: 407777-0153-B1)
1	407777-5127-B1	1	* ENGINE, 22 Gross HP Briggs & Stratton Twin Intek (Engine Model: 407777-5127-B1)
1	407777-3127-B1	1	* ENGINE, 22 Gross HP Briggs & Stratton Twin Intek (Engine Model: 407777-3127-B1)
1	40R877-0014-B1	1	* ENGINE, 22 Gross HP Briggs & Stratton Twin Intek (Engine Model: 40R877-0014-B1)
2	1717473	1	VALVE, Shut Off Oil Drain
3	1731970	1	SEAL, Short
3	1731971	1	SEAL, Long (Single)
4	1728058A	1	SHIELD, Heat
5	1930601	4	CAPSCREW, Hex Washer Head Taptite 5/16-18 x 5/8
6	1727997A	1	SHIELD, Heat (Twin)
7	1727994	1	MUFFLER (Twin)
8	1727976A	1	BRACKET, Muffler Mount
9	1727979	1	PIPE, Exhaust R.H. (Twin)
10	1727980	1	PIPE, Exhaust L.H. (Twin)
11	1727996A	1	SHIELD, Heat (Single)
12	1727993	1	MUFFLER (Single)
13	1728959	1	PIPE, Exhaust (Single)
14	1925003	4	CAPSCREW, Hex Washer Head Taptite 1/4-20 x 1/2
15	2834683	1	CLIP, Speed Wire
16	1731410	1	CONTROL, Throttle Double (Single)
16	1736868	1	CONTROL, Throttle, Choke-A-Matic (Twin)
17	2860112	2	CLAMP, Hose
18	1732001	1	HOSE, Fuel, Low Perm, 1/4ID x 1/2OD x 55.5 Lg
18	706024	1	HOSE, Fuel, Low Perm, 1/4ID x 1/2OD x 49.5 Lg Use on engine model number 331777-0119-B1
19	1730268	2	CLIP, Hose
20	2827187	3	CAPSCREW, Hex Washer Head Taptite 3/8-16 x 1 (Single)
21	2820427	1	LOCKWASHER, External Tooth 3/8
24	1732576	1	PULLEY & HUB ASSEMBLY, Engine
25	1701011	1	TIE, Self Locking
22	1924940	1	WASHER, 3/8
26	1732875	1	RETAINER, Clutch
28	1731275	1	CLUTCH, Electric OGURA (Used on Model Year 2008 and Prior)
28	1736105	1	CLUTCH, Electric OGURA (Used on Model Year 2009 and Later)
29	1708264	1	WASHER, Hex
30	1918199	1	LOCKWASHER, Spring
31	1960649	1	CAPSCREW, Hex Head 7/16-20 x 3-1/2 G5
32	1731214	1	GASKET, Exhaust
33	2828635	4/1	CAPSCREW, Hex Washer Head Taptite 3/8-16 x 1-1/4
34	1936228	2	CAPSCREW, Hex Socket Head 5/16-18 x 3/4 G8
35	1917356	2	LOCKWASHER, Spring 5/16

Footnotes

Note:* To verify your specific engine model, please reference the ID Tag located on your engine. See your local Briggs & Stratton distributor for parts and service.

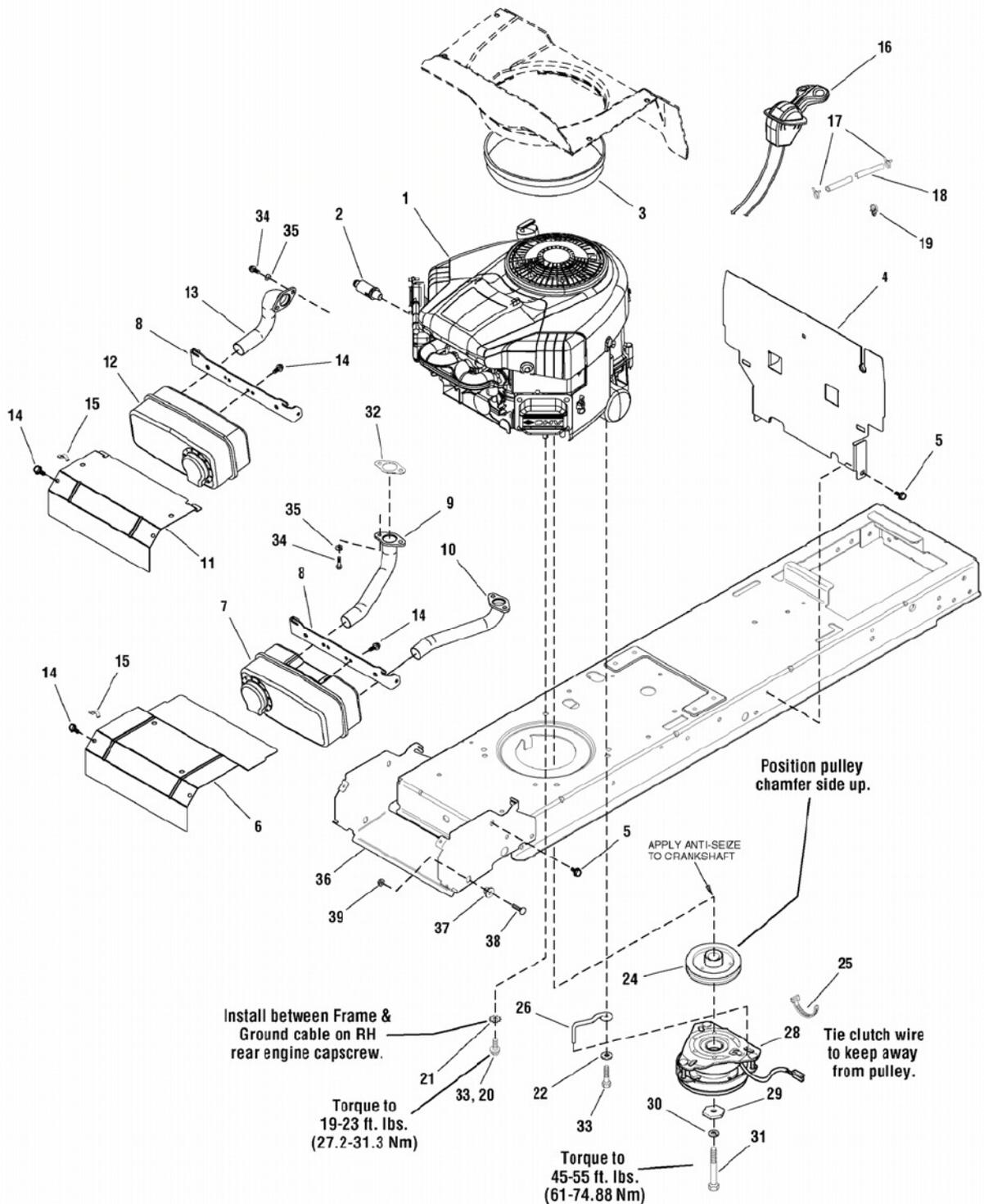
The above parts group applies to the following Mfg. Nos.:

2691262-00 - Regent EX2246

Engine Group - 18.5, 20 & 22 Gross HP Briggs & Stratton

987440

NOTE: Unless noted otherwise,
use the standard hardware torque
specification chart.



The above parts group applies to the following Mfg. Nos.:

2691262-00 - Regent EX2246

Engine Group - 18.5, 20 & 22 Gross HP Briggs & Stratton

REF NO	PART NO.	QTY.	DESCRIPTION
37	1728086	2	PIVOT, Hood
38	1931355	2	BOLT, Carriage, 5/16-18 x 1
39	1931277	2	NUT, Hex Flange, 5/16-18
--	1687296	1	SERVICE KIT, Electric Clutch (Includes Ref. Nos. 22, 24, 25, 26, 28, 29, 30, 31 & 33)

Not for
Reproduction

Footnotes

Note:* To verify your specific engine model, please reference the ID Tag located on your engine. See your local Briggs & Stratton distributor for parts and service.

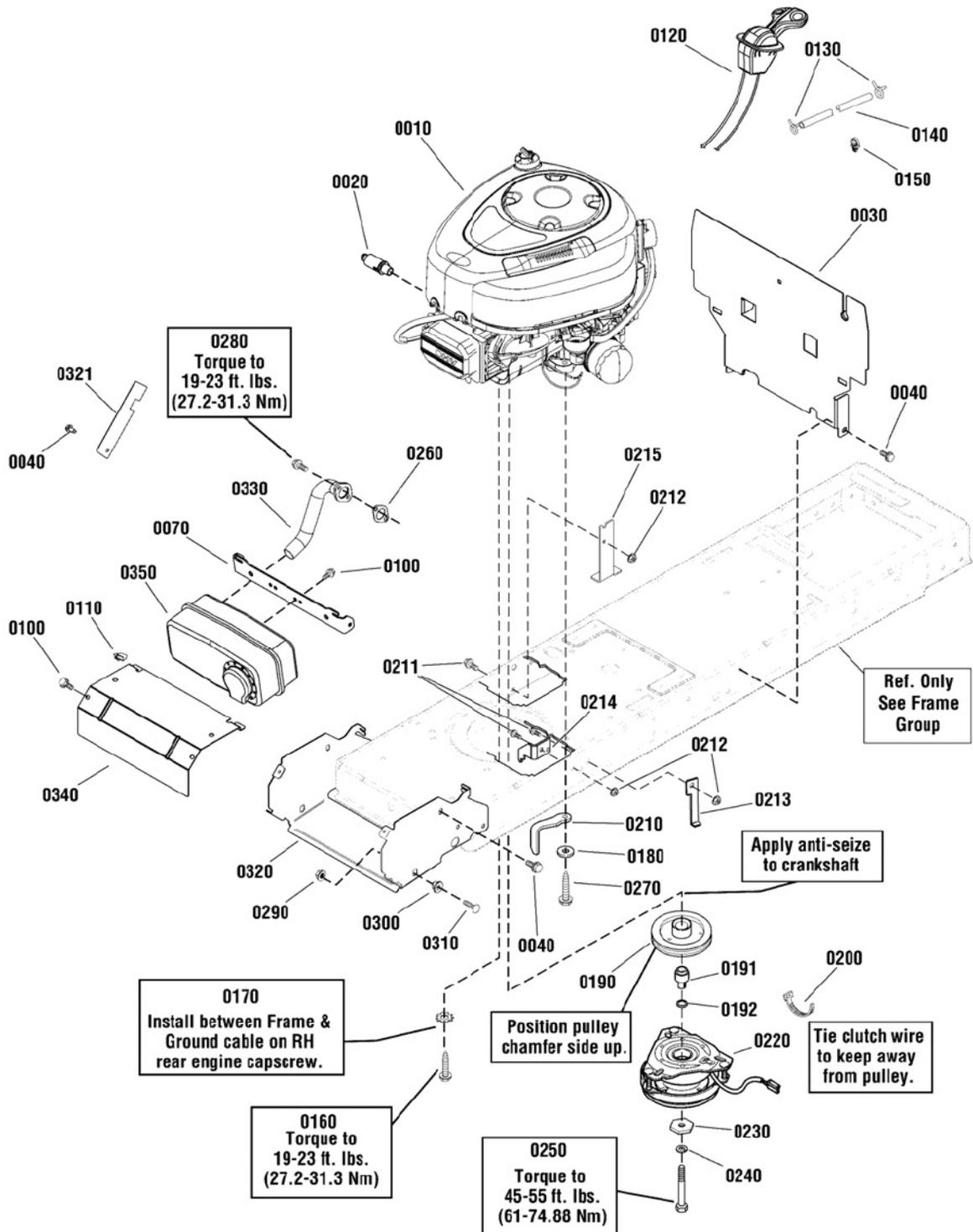
The above parts group applies to the following Mfg. Nos.:

2691262-00 - Regent EX2246

Engine Group - Briggs & Stratton

2991409

NOTE: Unless noted otherwise,
use the standard hardware torque
specification chart.



The above parts group applies to the following Mfg. Nos.:

2691218-00 - ELT17542F

2691218-01 - ELT17542F

Engine Group - Briggs & Stratton

REF NO	PART NO.	QTY.	DESCRIPTION
0010	----	1	*ENGINE, 17.5HP B&S, Single, Choke-A-Matic (Engine Model: 31R777-0022-B1)
0020	1750159YP	1	DRAIN VALVE ASSEMBLY
0030	1738380AYP	1	HEAT SHIELD, Engine
0040	703949	9	SCREW, Washer, 5/16-18 X 5/8
0070	1727982BMYP	1	SUPPORT, Muffler
0100	704130	4	SCREW, Taptite, 1/4-20 x 1/2
0110	2172434SM	1	CLIP, Wire
0120	1751734YP	1	CONTROL, Throttle
0130	93053B	2	CLAMP, Hose
0140	706024	1	HOSE, Fuel, 49.5"
0150	1730268SM	2	CLIP, Hose
0160	2827187SM	2	SCREW, Taptite, 3/8-16 X 1
0170	703864	1	WASHER, External Tooth, 3/8
0180	703878	1	WASHER, Flat, 13/32
0190	1732576SM	1	PULLEY & HUB ASSEMBLY
0191	885679YP	1	SPACER, Electric Clutch
0192	885810YP	1	SPACER, Electric Clutch Lower
0200	703586	1	TIE, Self Locking
0210	1737421BMYP	1	**GUIDE, Belt
0211	704287	4	CAPSCREW, Hex Head, 5/16-18 X 3/4
0212	703409	6	NUT, Flange, 5/16-18, GR5
0213	1757405BMYP	1	BRACKET, Upstop
0214	885535AYP	1	BRACKET, Electric Clutch
0215	1737404BMYP	1	BRACKET, Upstop
0220	1736105SM	1	CLUTCH, Electric
0230	1708264SM	1	WASHER, Hex
0240	704007	1	WASHER, Lock
0250	7102075YP	1	CAPSCREW, Hex Head, 7/16-20 X 5
0260	1731214SM	1	GASKET, Exhaust
0270	2828635SM	2	SCREW, Taptite, 3/8-16 x 1 /14
0280	690341	2	SCREW, Hex, 5/16-18 X 7/8
0290	703409	2	NUT, Flange, 5/16-18, GR5
0300	1728086SM	2	PIVOT, Hood
0310	703800	2	BOLT, Carriage, 5/16-18 X 1
0320	1738265AYP	1	SUPPORT, Muffler & Hood
0321	1736025BMYP	1	GUARD, Pulley, Rear
0330	1728959SM	1	PIPE, Exhaust
0340	1727996BMYP	1	SHIELD, Heat
0350	1727993SM	1	MUFFLER

Footnotes

Note:* See your local Briggs & Stratton distributor for parts and service.

Note:** Used on serial numbers 2016732404 and below

The above parts group applies to the following Mfg. Nos.:

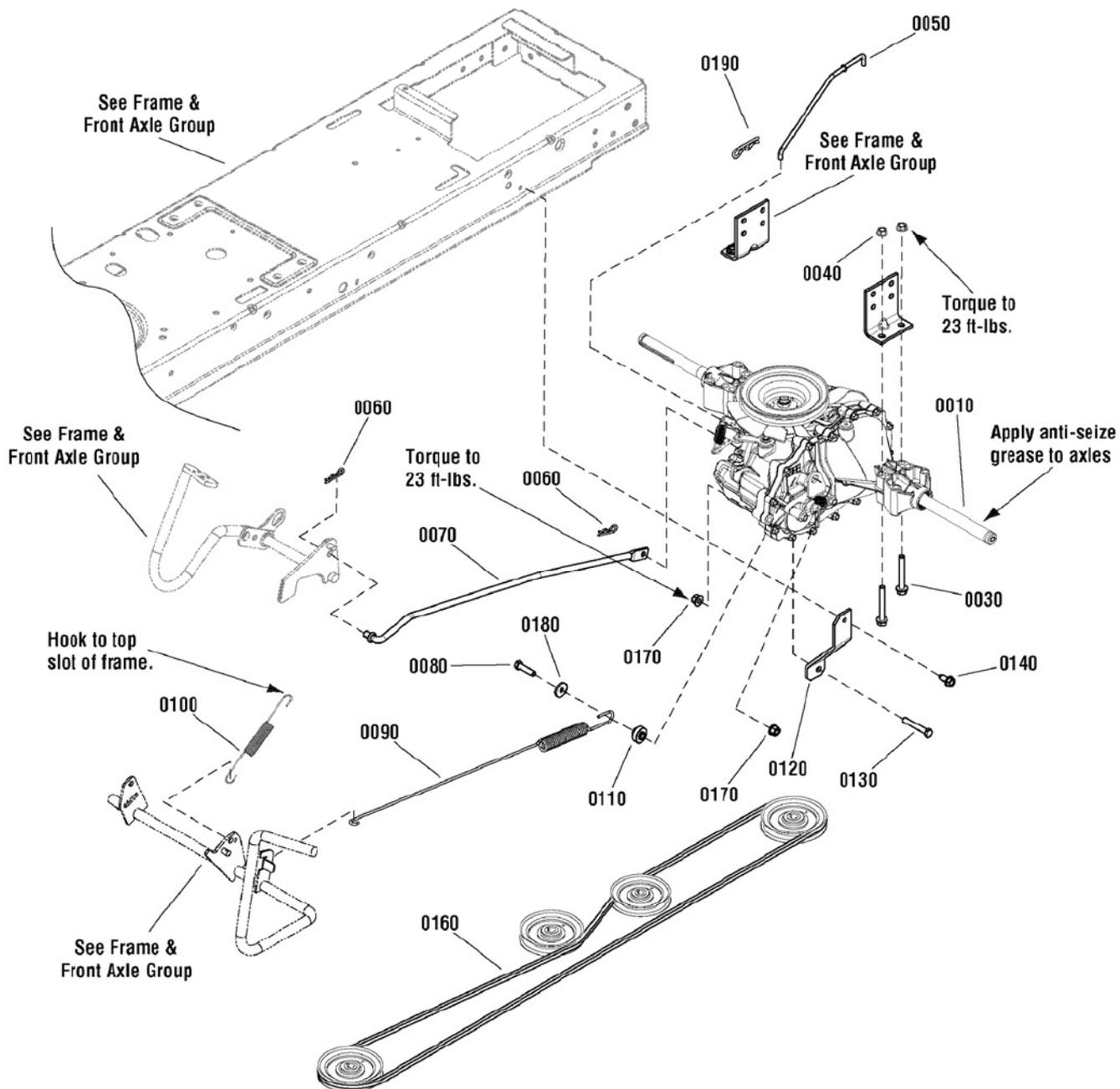
2691218-00 - ELT17542F

2691218-01 - ELT17542F

Transmission Group - Hydro Gear

988052

NOTE: Unless noted otherwise,
use the standard hardware torque
specification chart.



The above parts group applies to the following Mfg. Nos.:

2691218-00 - ELT17542F

2691218-01 - ELT17542F

Transmission Group - Hydro Gear

REF NO	PART NO.	QTY.	DESCRIPTION
0010	1736637	1	* TRANSMISSION, Hydro Gear
0030	1960586	4	CAPSCREW, Hex Head Whiz Lock, 5/16-18 x 2-1/2
0040	1931277	4	NUT, Hex Flange, 5/16-18
0050	1736716	1	ROD, Free Wheel
0060	1722460	2	PIN, Quick
0070	1750545	1	ROD, Speed Control
0080	1921977	1	CAPSCREW, Hex Head, 5/16-18 x 1-1/4
0090	1736409	1	SPRING, Extension
0100	1721995	1	SPRING, Extension, 6-5/8 Lg
0110	1736854	1	SPACER
0120	1736410A	1	STRAP, Torque
0130	1921978	1	CAPSCREW, Hex Head, 5/16-18 x 2
0140	1664847SM	1	CAPSCREW, Hex Head, Taptite, 5/16-18 x 3/4
0160	1737441	1	V-BELT, Drive Belt, HA, 88.46
0170	1960686	2	NUT, Hex Flange, 5/16-18
0180	1919381	1	WASHER, Flat, 5/16 x 1 OD
0190	1960221	1	CLIP, Hair Pin, 5/8 Dia. x 1-5/16 Lg

Not for
Reproduction

Footnotes

Note:* See your local authorized dealership for parts and warranty.

The above parts group applies to the following Mfg. Nos.:

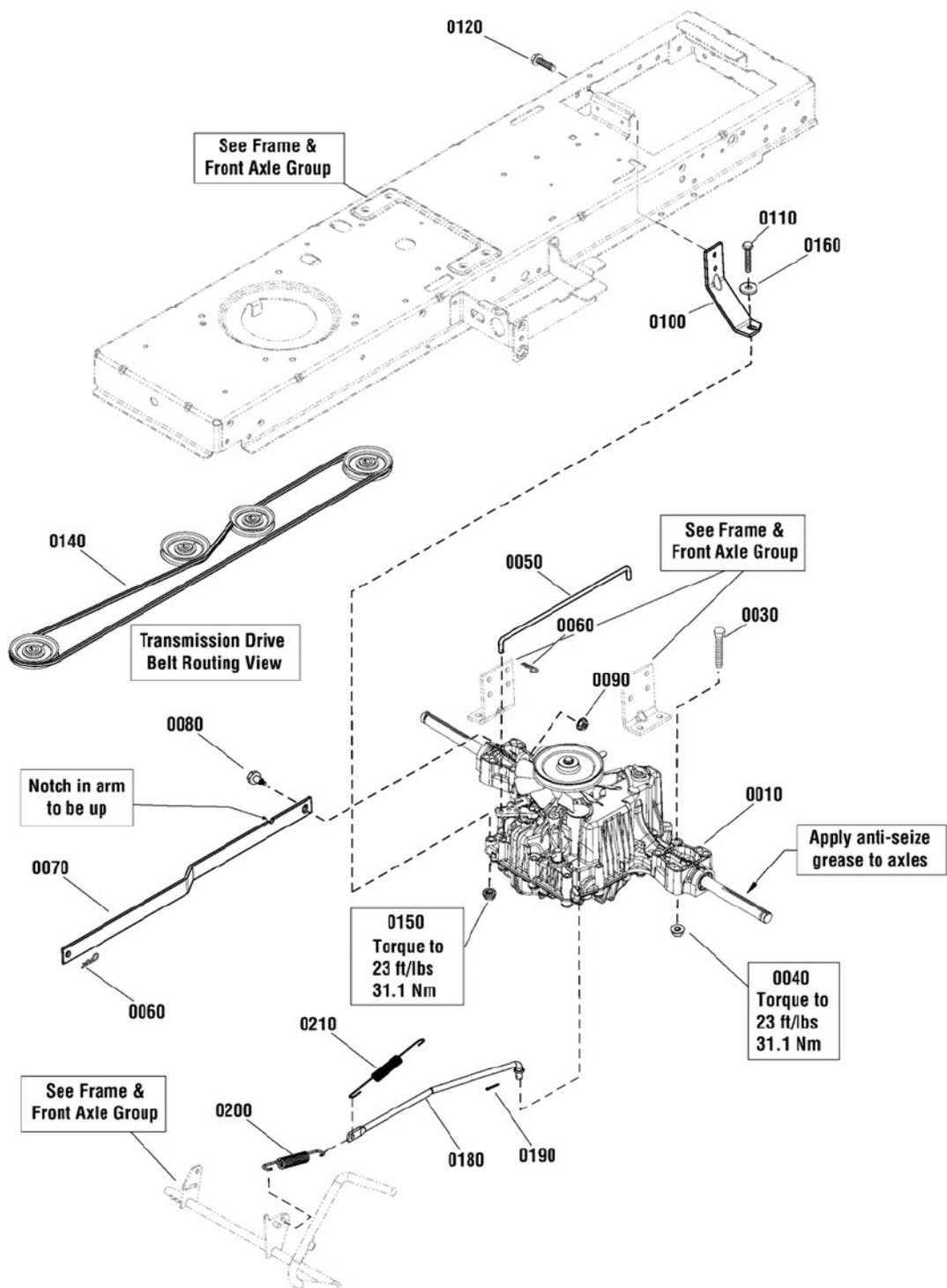
2691218-00 - ELT17542F

2691218-01 - ELT17542F

Transmission Group

NOTE: Unless noted otherwise, use the standard hardware torque specification chart.

2987060



The above parts group applies to the following Mfg. Nos.:

2691262-00 - Regent EX2246

Transmission Group

REF NO	PART NO.	QTY.	DESCRIPTION
0010	1729588SM	1	TRANSMISSION ASSEMBLY, K46BP
0010	1729589SM	1	TRANSMISSION, Tuff Torq K46BL (Used with 22" Tire Models)
0030	1960586SM	4	SCREW, Hex Head Flange Lock, 5/16-18 x 2-1/2
0040	1931277SM	4	NUT, Hex Flange, Whiz Lock, 5/16-18
0050	1728120SM	1	ROD, Bypass, 11.44 LG Yellow
0060	1722460SM	2	PIN, Quick
0070	1727258SM	1	ARM, Control
0080	1732426SM	1	BOLT, Shoulder, 5/16-18
0090	1960686SM	1	NUT, Hex Flange, 5/16-18 ESNA
0100	1728043SM	1	STRAP, Torque 7 GA
0110	1922127SM	1	CAPSCREW, Hex Head, 5/16-18 x 1-3/4
0120	1664847SM	1	CAPSCREW, Hex Head, Taptite, 5/16-18 x 3/4
0140	1728008SM	1	V-BELT, Drive Belt, Aramid/Kevlar
0150	1960686SM	1	NUT, Hex Flange, 5/16-18 ESNA
0160	1919381SM	1	WASHER, Plain, 5/16
0180	1727253SM	1	ROD, 3/8-15.1 LG
0190	1918447SM	1	PIN, Cotter
0200	1731262SM	1	SPRING, Extension, .7 OD
0210	1721995SM	1	SPRING, Extension, 5/8 OD

Not for
Reproduction

Footnotes

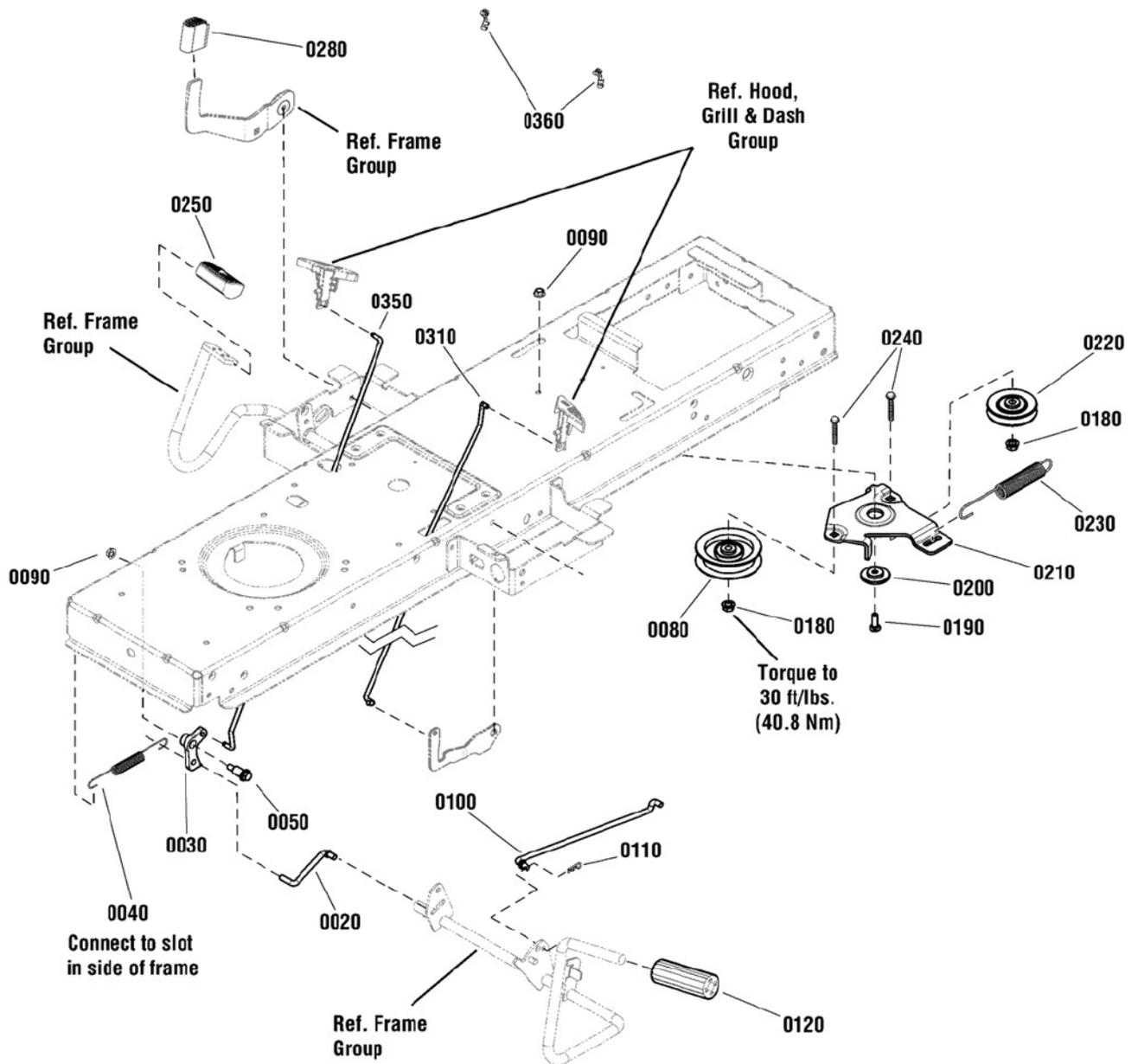
The above parts group applies to the following Mfg. Nos.:

2691262-00 - Regent EX2246

Controls Group

986842

NOTE: Unless noted otherwise,
use the standard hardware torque
specification chart.



The above parts group applies to the following Mfg. Nos.:

2691262-00 - Regent EX2246

Controls Group

REF NO	PART NO.	QTY.	DESCRIPTION
0020	1727899SM	1	ROD, Cruise Latch, 2.83 LG
0030	1727897SM	1	LATCH, Cruise
0040	2159181SM	1	SPRING, Tension, Clutch
0050	1728976SM	1	BOLT, Shoulder, 5/16-18 G5
0080	1728000SM	1	PULLEY, Idler
0090	1931277SM	2	NUT, Hex, Flange Whizlock, 5/16-18
0100	1727254SM	1	ROD, Brake Return, 12.60 LG
0110	1722460SM	1	PIN, Quick
0120	1727261SM	1	PEDAL, Brake
0180	1960687SM	2	NUT, Hex Flange, ESNA, 3/8-16
0190	1931335SM	1	BOLT, Carriage, 5/16-18 x 1
0200	1727935SM	1	SPACER, Pivot 0.330ID 1.76OD .37TH
0210	1727894SM	1	BRACKET, Idler
0220	1728001SM	1	PULLEY, 3 OD
0230	1729620SM	1	SPRING, Extension, 7.52
0240	1931352SM	2	BOLT, Carriage, 3/8-16 x 1-1/2
0250	1721675SM	1	PAD, Foot Pedal Forward
0280	1727259SM	1	PAD, Foot Pedal Reverse
0310	1727267SM	1	ROD, Parking Brake, 16.38 LG
0350	1727898SM	1	ROD, Cruise Latch, 16.97LG
0360	1728111SM	2	CLIP, Linkage

Not for
Reproduction

Footnotes

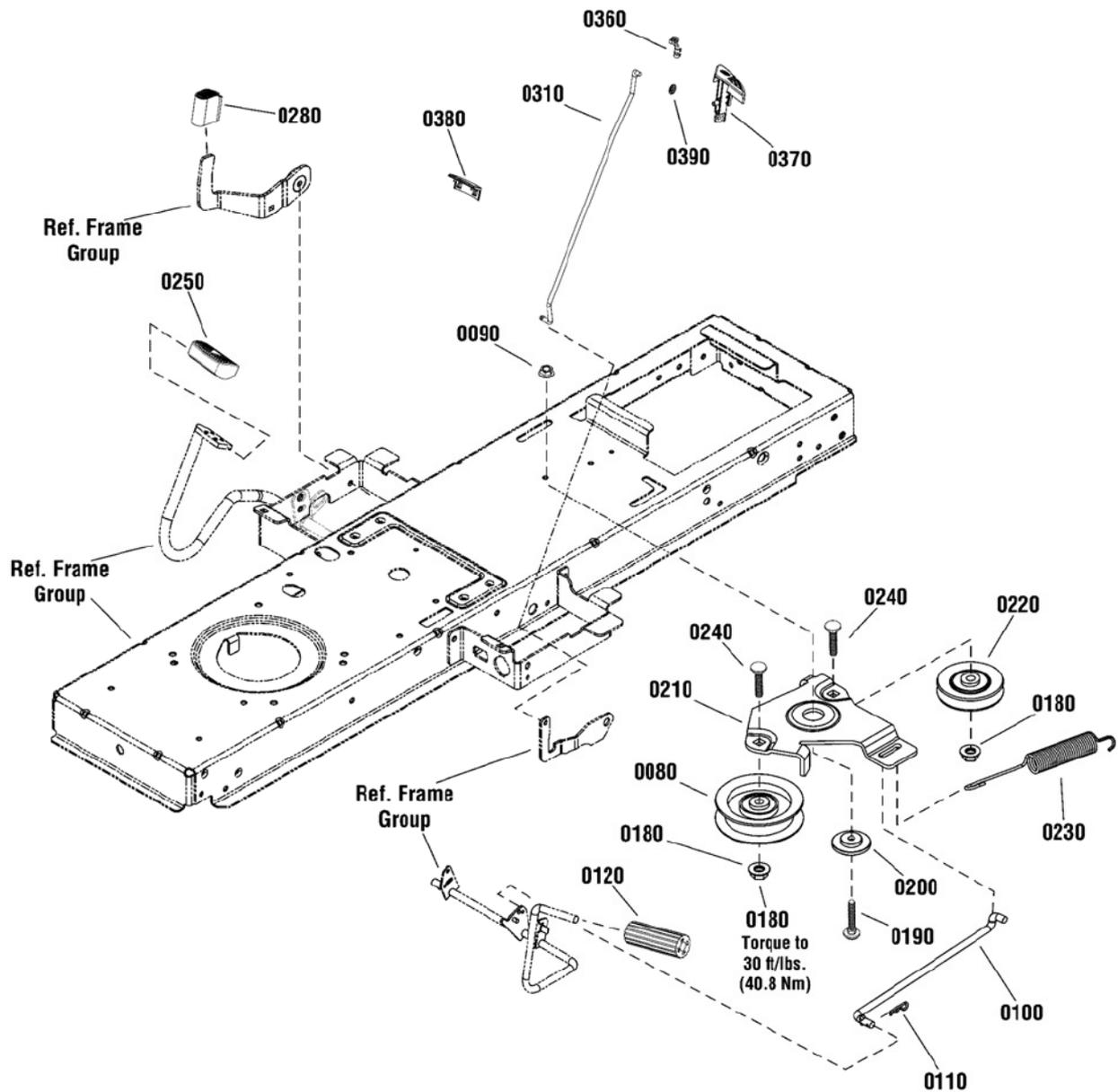
The above parts group applies to the following Mfg. Nos.:

2691262-00 - Regent EX2246

Controls Group

NOTE: Unless noted otherwise,
use the standard hardware torque
specification chart.

2991410



The above parts group applies to the following Mfg. Nos.:

2691218-00 - ELT17542F

2691218-01 - ELT17542F

Controls Group

REF NO	PART NO.	QTY.	DESCRIPTION
0080	1728000SM	1	PULLEY, Idler
0090	690272MA	1	NUT, Flange, 5/16-18, GR5
0100	1727254SM	1	ROD, Brake Return
0110	1722460SM	1	HAIRPIN
0120	1727261SM	1	PEDAL, Brake
0180	703158	2	NUT, Hex Flange, 3/8-16
0190	703800	1	BOLT, Carriage, 5/16-18 X 1
0200	1727935SM	1	SPACER, Pivot
0210	1727894SM	1	BRACKET, Idler
0220	1728001SM	1	PULLEY, 3"
0230	1729620SM	1	SPRING, Extension
0240	1931352SM	2	BOLT, Carriage, 3/8-16 X 1 1/2
0250	1721675SM	1	PAD, Foot Pedal Forward
0280	1727259SM	1	PAD, Foot Pedal Reverse
0310	1727267SM	1	ROD, Parking Brake
0360	1728111SM	1	CLIP, Linkage
0370	1728089SM	1	KNOB, Brake
0380	885686YP	1	PLUG, Cruise
0390	703826	2	BOLT, Pushnut, 1/4

Not for
Reproduction

Footnotes

The above parts group applies to the following Mfg. Nos.:

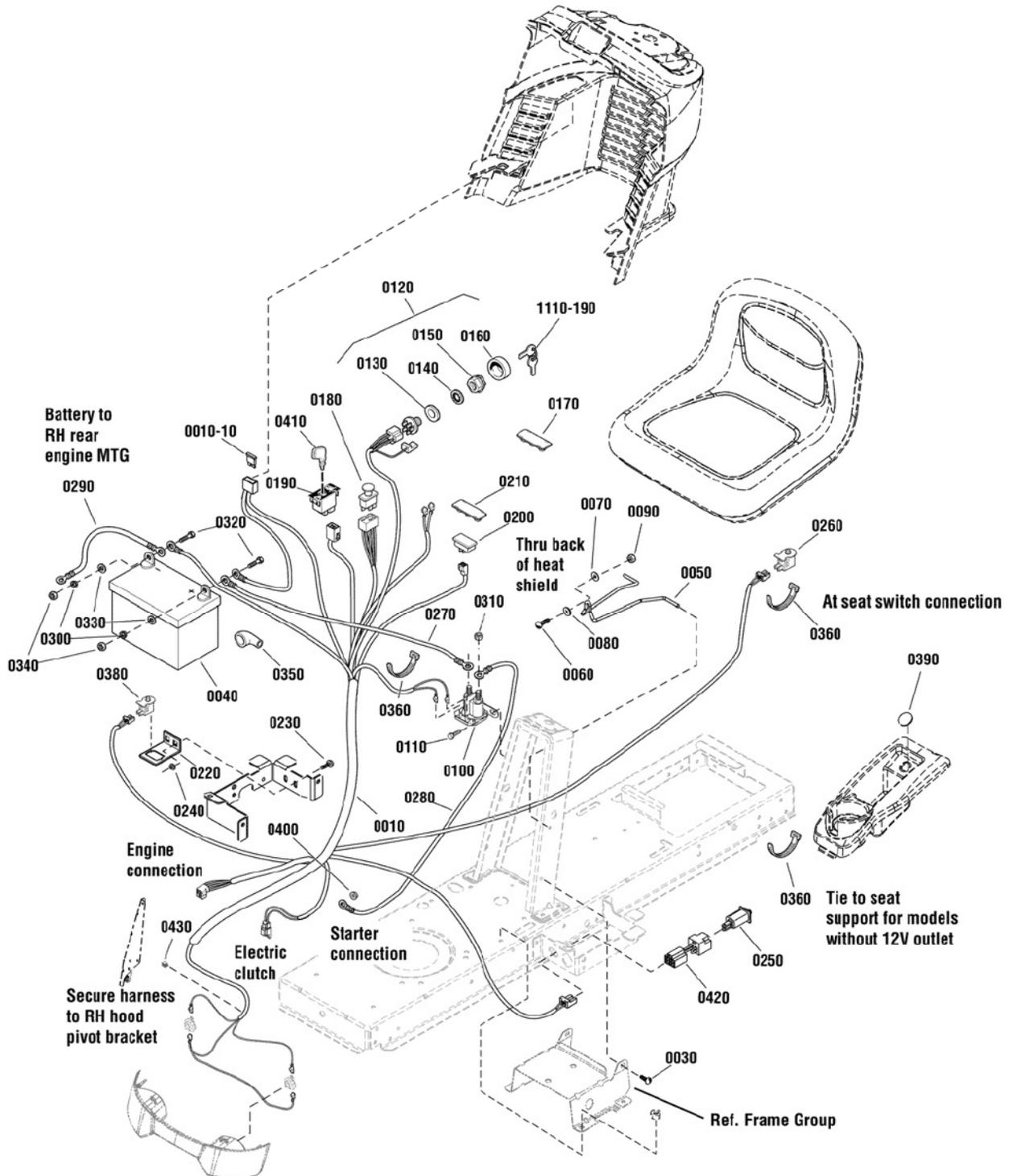
2691218-00 - ELT17542F

2691218-01 - ELT17542F

Electrical Group

2988699

NOTE: Unless noted otherwise,
use the standard hardware torque
specification chart.



The above parts group applies to the following Mfg. Nos.:

2691218-00 - ELT17542F

2691218-01 - ELT17542F

Electrical Group

REF NO	PART NO.	QTY.	DESCRIPTION
0010	1739597YP		WIRING HARNESS (Includes Ref. 0010-10)
0010-10	1731957SM		FUSE, Wiring Harness
0030	1930601SM		CAPSCREW, Hex Washer Head, Taptite, 5/16-18 x 5/8
0040	1685215SM		BATTERY, L Post, 12 Volt 6 Cell 340CCA
0050	1730007SM		HOLD DOWN, Battery
0060	1931318SM		BOLT, Carriage, 1/4-20 x 7/8 G5
0070	1960353SM		WASHER, 1/4
0080	1960518SM		PUSHNUT, 1/4
0090	1920397SM		NUT, Hex Lock, ESNA Light, 1/4-20
0100	1728963SM		SOLENOID
0110	1925003SM		CAPSCREW, Hex Washer Head, Taptite, 1/4-20 x 1/2
0120	1737853YP		SWITCH ASSEMBLY, Ignition (Includes Ref. Nos. 0130, 0140, 0150 & 0160)
0130	2101025SM		WASHER, 5/8
0140	1960547SM		LOCKWASHER, Internal Tooth
0150	1717549SM		NUT, Hex Flange, 5/8-32
0160	1717550SM		COVER, Switch
0170	1729993SM		PLUG, Hour Meter
0180	1722887SM		SWITCH, PTO Push
0190	1726556SM		SWITCH, RMO Module Only
0200	1716951SM		SWITCH, Headlight
0210	1722611SM		PLUG, Hole
0220	1728026SM		SUPPORT, RMO Switch
0230	1931333SM		BOLT, Carriage, 5/16-18 x 3/4, G5
0240	1931277SM		NUT, Hex Flange Whiz Lock Small, 5/16-18
0250	7022886YP		SWITCH, Push Button (NO / NC)
0260	7023354YP		SWITCH, Push Button (NC)
0270	1716549SM		CABLE-# 6 x 10
0280	1721830SM		CABLE, # 6 x 25
0290	1713163SM		CABLE, # 6 x 26
0300	2816964SM		LOCKWASHER, 1/4
0310	2860750SM		NUT, Hex, KEPS, 5/16-24
0320	2823341SM		CAPSCREW, Hex Head, 1/4-20 x 3/4, G5
0330	2821319SM		WASHER, 1/4
0340	2816622SM		NUT, Hex, 1/4-20
0350	1677296SM		BOOT, Insulator
0360	1701011SM		TIE, Self Locking
0380	1732004SM		SWITCH, Push Button (NO)
0390	1732007SM		PLUG, Hole
0400	1960294SM		NUT, Hex Flange Whiz Lock Small, 1/4-20
0410	1726557SM		KEY, RMO Module Plastic
0420	1734025SM		WIRES & CONNECTORS ASSEMBLY, Jumper
0430	2172434SM		CLIP, Wire
1110-190	1737837YP		KEYS, Ignition

Footnotes

The above parts group applies to the following Mfg. Nos.:

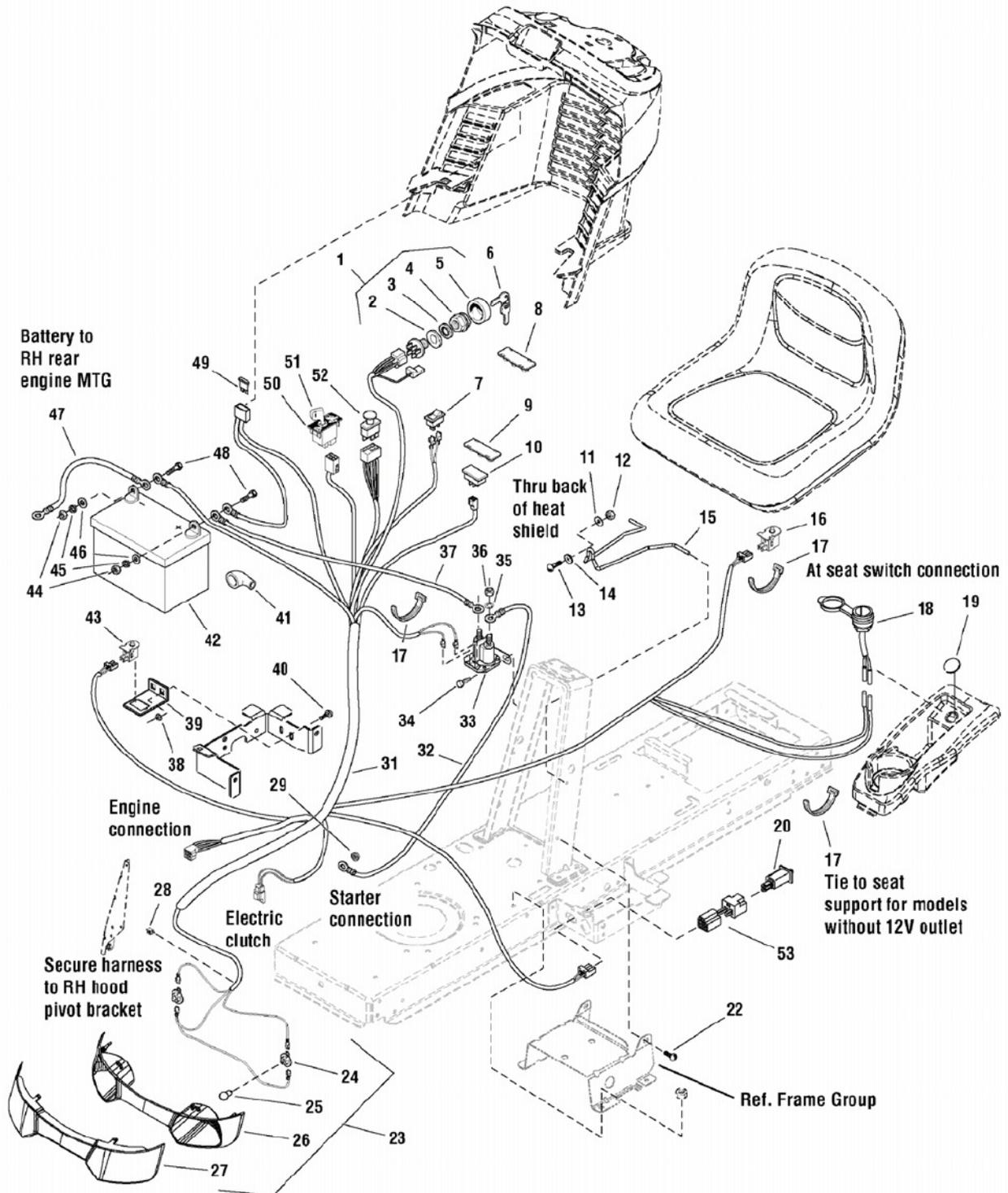
2691218-00 - ELT17542F

2691218-01 - ELT17542F

Electrical Group

NOTE: Unless noted otherwise, use the standard hardware torque specification chart.

986851



The above parts group applies to the following Mfg. Nos.:

2691262-00 - Regent EX2246

Electrical Group

REF NO	PART NO.	QTY.	DESCRIPTION
1	1686734	1	SWITCH ASSEMBLY, Ignition, 6-Pole (Includes Ref. Nos. 2, 3, 4 & 5)
2	2101025	1	WASHER, 5/8
3	1960547	1	LOCKWASHER, Internal Tooth, 5/8 (Not used on 2014 & newer models)
4	1717549	1	NUT, Hex, Flange, 5/8-32
5	1717550	1	COVER, Ignition
6	1717163	1	IGNITION KEY (Set of 2)
7	1716951	1	SWITCH, Headlights, 2 Terminal
8	1722611	1	PLUG, Hole, Square
9	1729993	1	PLUG, Hour Meter (Kohler and B&S Single)
10	1728068	1	METER, Hour, LCD (B&S V-Twin Only)
11	1960353	1	WASHER, Plain, 1/4 (6 Total for Export)
12	1920397	1	NUT, Hex, ESNA, 1/4-20
13	1931318	1	BOLT, Carriage, 1/4-20 x 7/8
14	1960518	1	NUT, Push On
15	1730007	1	HOLD DOWN, Battery
16	1732005	1	SWITCH, Push Button (NC)
17	1701011	3	TIE, Self Locking 7-5/16
18	7073090	1	OUTLET, 12 Volt DC Power
19	1732007	1	PLUG, Hole Models W/O 12V Adapter
20	7022886	1	SWITCH, Push Button (NO/NC) (18.5 Gross HP & 20 Gross HP Models)
20	1732006	1	SWITCH, Push Button (NO/NC) (22 Gross HP Models)
22	1930601	4	CAPSCREW, Hex Washer Head, Taptite, 5/16-18 x 5/8
23	1727296	1	HEADLIGHT ASSEMBLY (Includes Ref. Nos. 24, 25, 26 & 27)
24	1723451	2	SOCKET ASSEMBLY
25	1677371	2	BULB, 1141-12V 21CP
26	1728973	1	REFLECTOR, Headlight
27	1728974	1	LENS, Headlight
28	2834683	1	CLIP, Speed Wire (18.5 Gross HP & 20 Gross HP Models)
28	2172434	1	CLIP, Speed Wire (22 Gross HP Models)
29	1960294	1	NUT, Hex, Flange, 1/4-20
31	1728097	1	HARNESS, Wiring (Use with Clutch 1731275SM)
31	1737044	1	HARNESS, Wiring (Use With Clutch 1736105SM) (Used on models with 12 Volt Adapter)
31	1739597	1	HARNESS, Wiring (Use With Clutch 1736105SM) (Used on models without 12 Volt Adapter)
32	1721830	1	CABLE, Solenoid to Starter
33	1728963	1	SOLENOID
34	1925003	2	SCREW, Taptite, 1/4-20 x 1/2
35	2820426	2	LOCKWASHER, External Tooth, 5/16
36	2820263	2	NUT, Hex, 5/16-24 NF
37	1716549	1	CABLE, #6 x 10 Long, with 2 Ring Terminals, Battery to Solenoid
38	1931277	2	NUT, Hex, Flange Whizlock, 5/16-18
39	1728026	1	SUPPORT, RMO Switch
40	1931333	2	BOLT, Carriage, 5/16-18 x 3/4
41	1677296	1	BOOT, Insulator
42	1685215	1	BATTERY, 12 Volt, 230 CCA

Footnotes

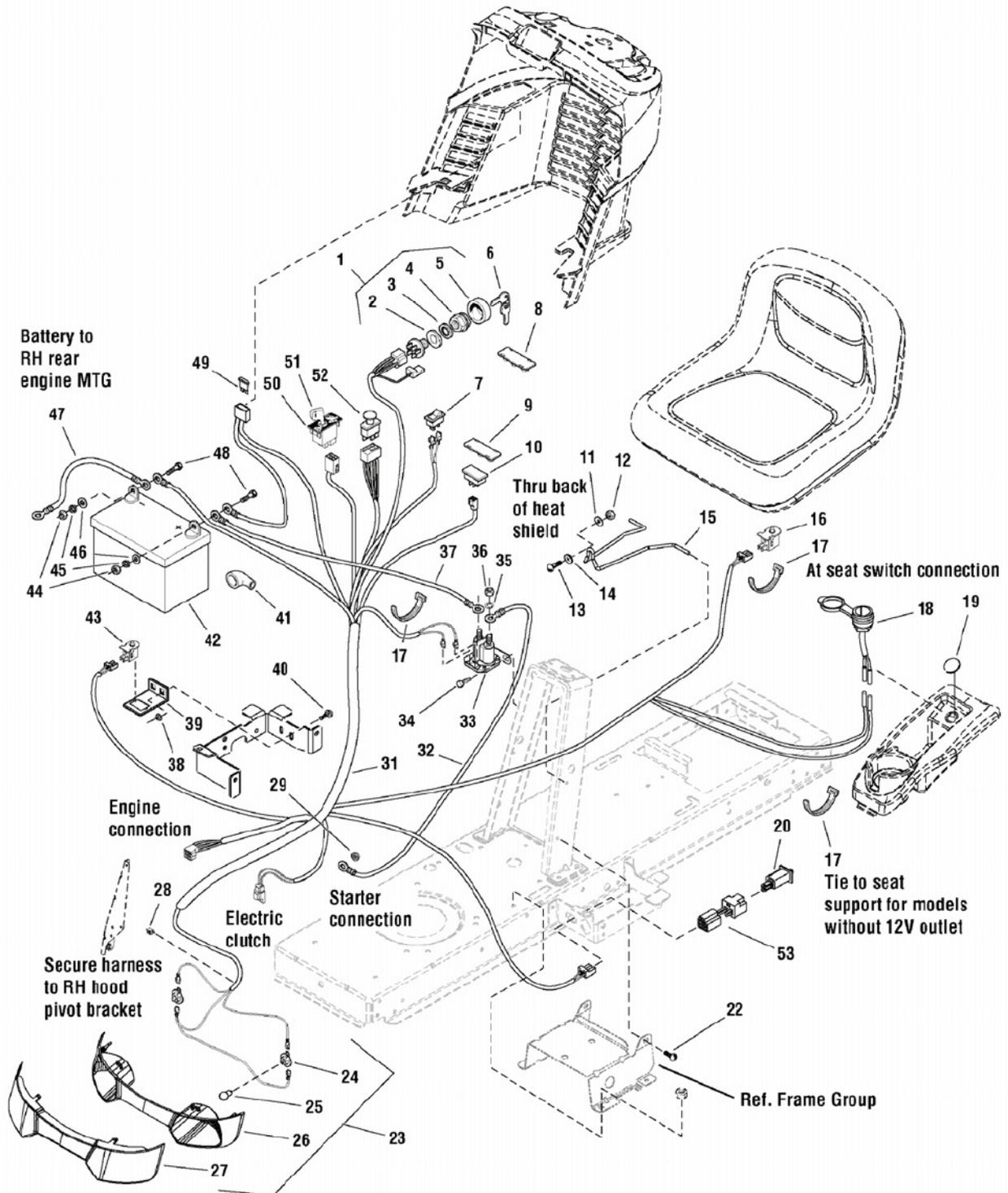
The above parts group applies to the following Mfg. Nos.:

2691262-00 - Regent EX2246

Electrical Group

NOTE: Unless noted otherwise, use the standard hardware torque specification chart.

986851



The above parts group applies to the following Mfg. Nos.:

2691262-00 - Regent EX2246

Electrical Group

REF NO	PART NO.	QTY.	DESCRIPTION
43	1732004	1	SWITCH, Push Button (NO), Reverse Pedal
44	2816622	2	NUT, Hex, Full, 1/4-20
45	2816964	2	LOCKWASHER, 1/4
46	2821319	2	WASHER, 1/4 I.D.
47	1713163	1	CABLE, Battery to Ground
48	2823341	2	CAPSCREW, Hex Head, 1/4-20 x 3/4
49	1731957	1	FUSE, Wiring Harness
50	1726556	1	SWITCH, RMO Module Only
51	1726557	2	KEY, RMO Module, Plastic
52	1722887	1	SWITCH, PTO, Push/Pull Symbols
53	1734025	1	WIRING ASSEMBLY, All Conditions Shutdown (CE/Export)

Not for
Reproduction

Footnotes

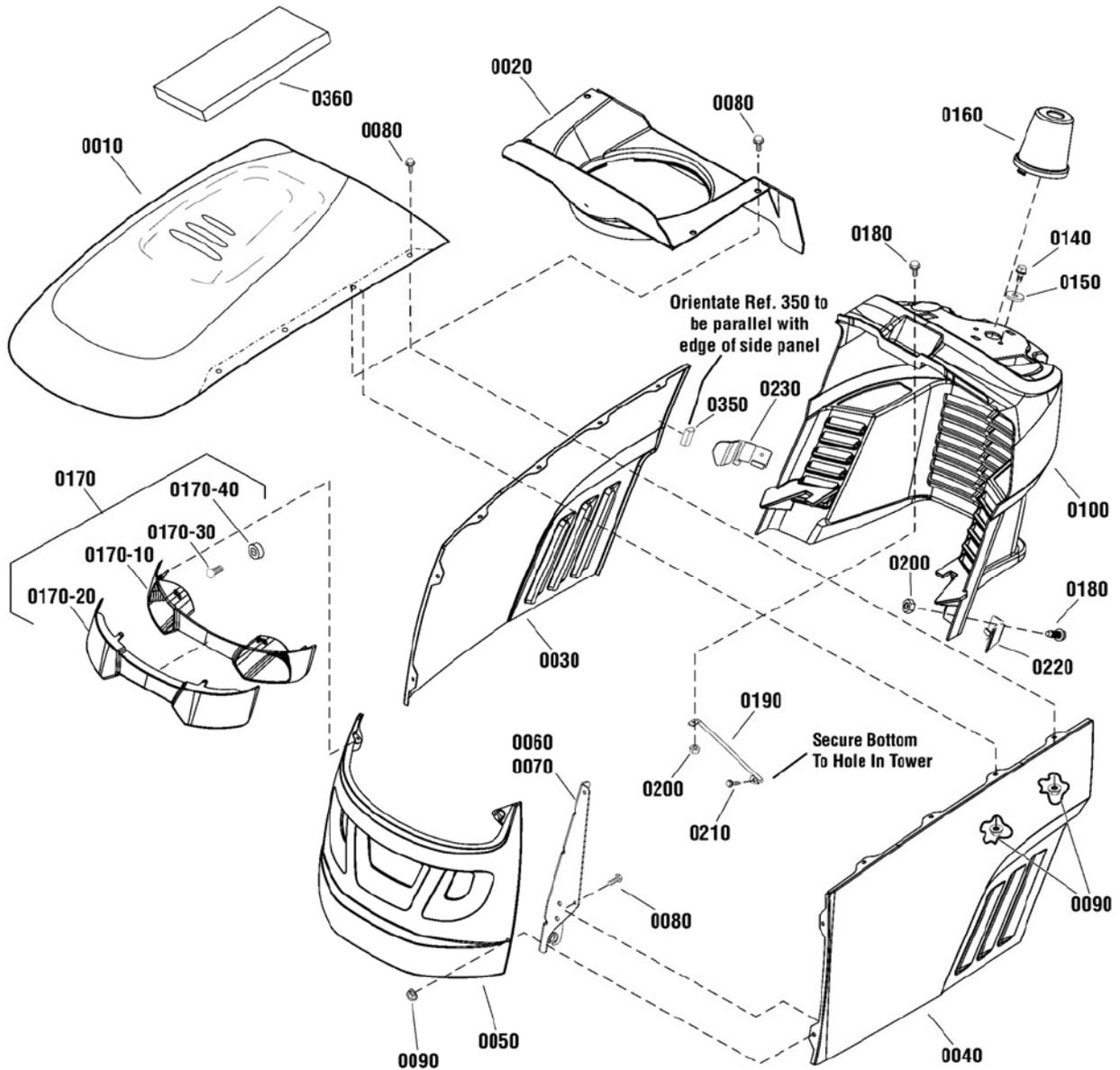
The above parts group applies to the following Mfg. Nos.:

2691262-00 - Regent EX2246

Hood Grille & Dash Group

NOTE: Unless noted otherwise,
use the standard hardware torque
specification chart.

2991411



The above parts group applies to the following Mfg. Nos.:

2691218-00 - ELT17542F

Hood Grille & Dash Group

REF NO	PART NO.	QTY.	DESCRIPTION
0010	1722110CSM	1	HOOD, W/Loovers
0020	7102326SM	1	DUCT, Air Inlet Plastic
0030	1727294CSM	1	PANEL, Hood, RH Side
0040	1727295CSM	1	PANEL, Hood, LH Side
0050	1728059CSM	1	GRILLE
0060	1727279ASM	1	HINGE, Hood LH
0070	1727280ASM	1	HINGE, Hood RH
0080	1960295SM	12	CAPSCREW, Whizlock, 1/4-20 x 5/8
0090	1930641SM	12	NUT, Hex Flange Whiz, 1/4-20
0100	1727293SM	1	DASHBOARD
0140	1664847SM	2	CAPSCREW, Hex Head, Taptite, 5/16-18 x 3/4
0150	1919381SM	2	WASHER, Plain, 5/16
0160	1727999SM	1	COVER, Steering Shaft Plastic
0170	1727296SM	1	HEADLIGHT ASSEMBLY
0170-10	1728973SM	1	REFLECTOR, Headlight
0170-20	1728974SM	1	LENS, Headlight
0170-30	1677371SM	2	BULB, 1141-12V 21CP
0170-40	1723451SM	2	SOCKET ASSEMBLY
0180	1960392SM	3	SCREW, Pan Head #10-24 x 1/2
0190	1723123SM	1	ROD, Dash Support
0200	1933896SM	3	NUT, Hex, Nylon, Lock, #10-24
0210	1925003SM	1	SCREW, Taptite, 1/4-20 x 1/2
0220	1732030SM	1	GUIDE, Hood LH
0230	1732031SM	1	GUIDE, Hood RH
0350	1754094YP	2	POSITIONER, Hood
0360	1757664YP	1	Insulation

Footnotes

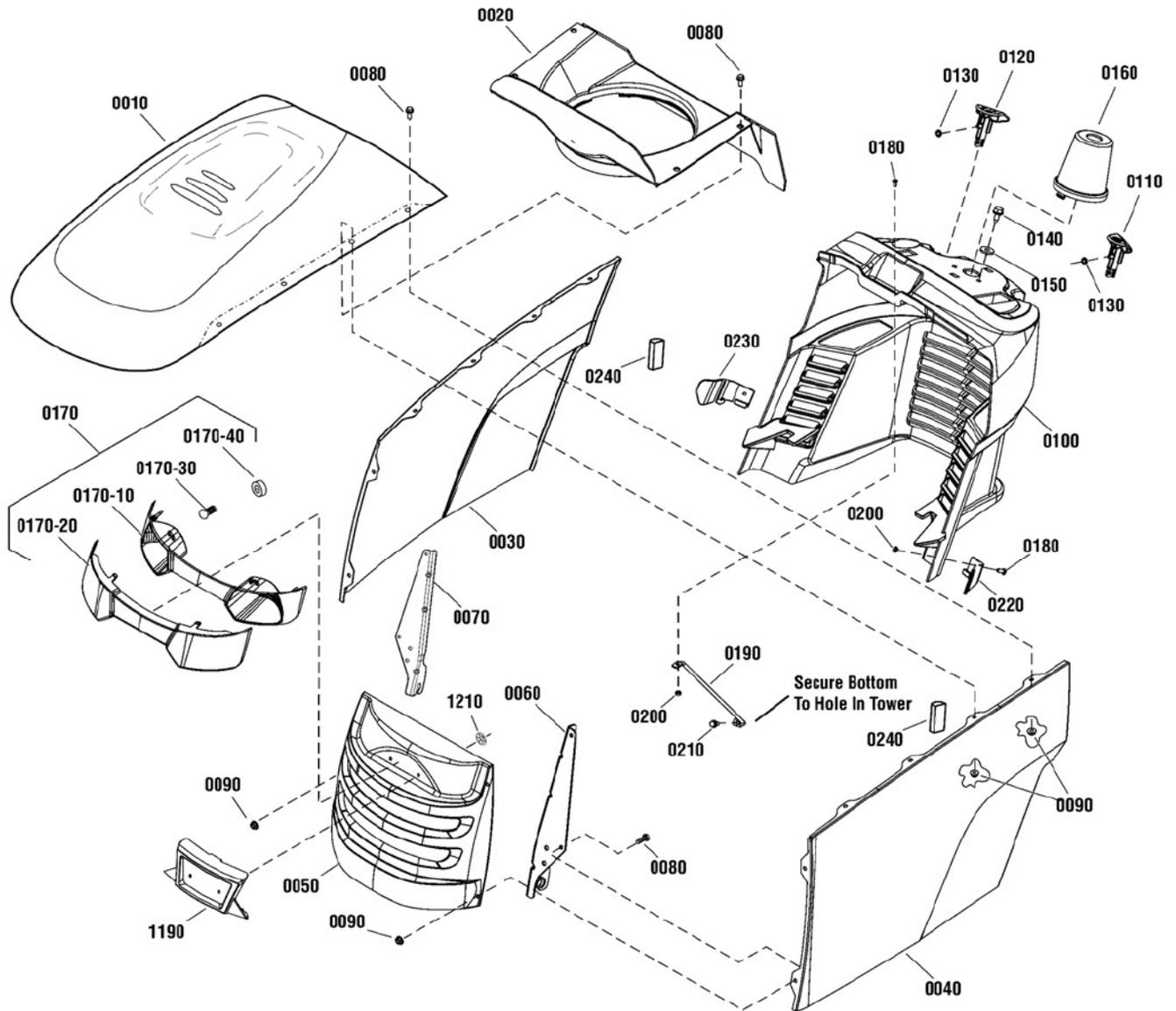
The above parts group applies to the following Mfg. Nos.:

2691218-00 - ELT17542F

Hood, Grille & Dash Group

2990929

NOTE: Unless noted otherwise,
use the standard hardware torque
specification chart.



The above parts group applies to the following Mfg. Nos.:

2691218-01 - ELT17542F

2691262-00 - Regent EX2246

Hood, Grille & Dash Group

REF NO	PART NO.	QTY.	DESCRIPTION
0010	1722110CSM	1	HOOD, with Louver
0020	7102326YP	1	DUCT, Air Inlet Plastic
0030	1728029CSM	1	PANEL, Hood R.H.
0030	1755497CYP	1	PANEL, Hood R.H. (Use on 2690840-03 & 2691118-01)
0040	1728030CSM	1	PANEL, Hood, L.H.
0040	1755498CYP	1	PANEL, Hood, L.H. (Use on 2690840-03 & 2691118-01)
0050	1727297CSM	1	GRILLE
0060	1727279BMYP	1	HINGE, Hood L.H.
0070	1727280ASM	1	HINGE, Hood R.H.
0080	1960295SM	12	CAPSCREW, Whizlock, 1/4-20 x 5/8
0090	703161	12	NUT, Hex Flange Whiz, 1/4-20
0100	1727293SM	1	DASHBOARD
0110	1728089SM	1	KNOB, Brake Lock Plastic
0120	1728090SM	1	KNOB, Cruise Lock Green Plastic
0130	1960518SM	2	NUT, Push Pal
0140	703228	2	CAPSCREW, Hex Head, Taptite, 5/16-18 x 3/4
0150	703298	2	WASHER, Plain, 5/16
0160	1727999SM	1	COVER, Steering Shaft Plastic
0170	1727296SM	1	HEADLIGHT ASSEMBLY (Includes Ref. Nos. 0170-10, 0170-20, 0170-30 & 0170-40)
0170-10	1728973SM	1	REFLECTOR, Headlight
0170-20	1728974SM	1	LENS, Headlight
0170-30	1677371SM	2	BULB, 1141-12V 21CP
0170-40	1723451SM	2	SOCKET ASSEMBLY
0180	1960392SM	3	SCREW, Phillips Head
0190	1723123SM	1	ROD, Dash Support
0200	703412	3	NUT, Nylock, #10-24
0210	1925003	1	SCREW, Self-Tap
0220	1732030SM	1	GUIDE, Hood L.H.
0230	1732031SM	1	GUIDE, Hood R.H.
0240	1754094YP	2	POSITIONER, Hood
1190	1755583YP	1	INSERT, Headlight (Use on 2690840-03 & 2691118-01)
1210	1960521SM	2	PUSHNUT (Use on 2690840-03 & 2691118-01)

Footnotes

The above parts group applies to the following Mfg. Nos.:

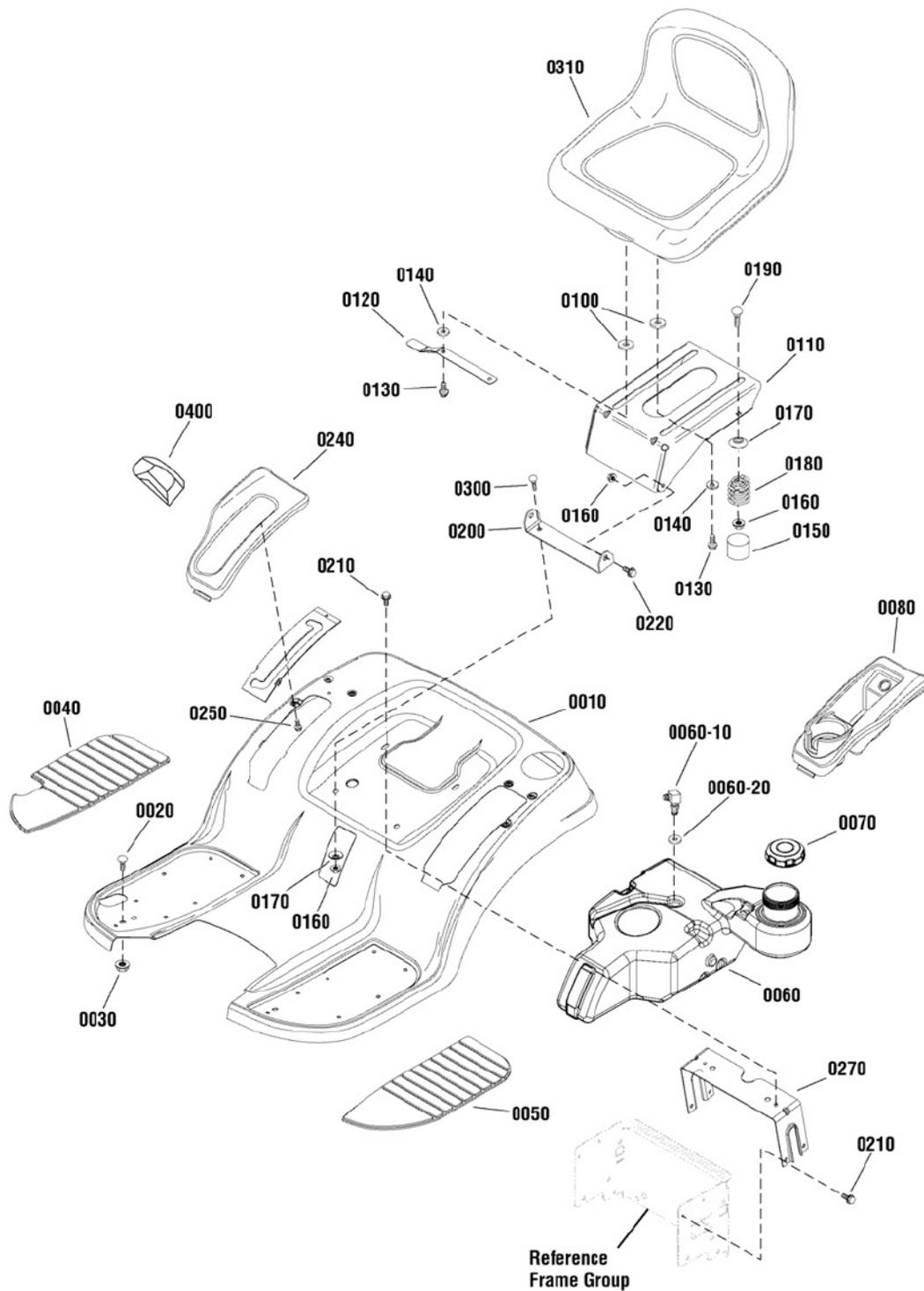
2691218-01 - ELT17542F

2691262-00 - Regent EX2246

Seat Deck & Fuel Tank Group

2991412

NOTE: Unless noted otherwise,
use the standard hardware torque
specification chart.



The above parts group applies to the following Mfg. Nos.:

2691218-00 - ELT17542F

2691218-01 - ELT17542F

Seat Deck & Fuel Tank Group

REF NO	PART NO.	QTY.	DESCRIPTION
0010	1727264CSM	1	DECK, Seat
0020	703185	2	BOLT, Carriage, 5/16-18 x 3/4 G5
0030	1931277SM	4	NUT, Hex Flange, Whiz Lock, 5/16-18
0040	1757595YP	1	PAD, Foodrest, RH
0050	1757594YP	1	PAD, Foodrest, LH
0060	1738932YP	1	TANK, Fuel
0060-10	1736609YP	1	FITTING & HOSE ASSEMBLY, Fuel Tank
0060-20	1654930SM	1	BUSHING, Fuel Tank
0070	5101651SM	1	CAP, Fuel Tank
0080	1739535YP	1	POD, LH
0100	1731300SM	4	SPACER, 5/16 ID x 1-1/4 OD x 5/16
0110	1755767BMYP	1	SUPPORT, Seat
0120	1727268SM	1	LATCH, Seat
0130	1930595SM	4	CAPSCREW, Hex Flange, Whiz Lock, 5/16-18 x 1
0140	703298	4	WASHER, 5/16
0150	1704724SM	2	COVER, Spring, 1-1/2"
0160	703115	4	NUT, Hex Flange, 5/16-18 ESNA
0170	1709256SM	4	WASHER, Spring
0180	1704728SM	2	SPRING, Compression, 2"
0190	703225	2	BOLT, Carriage, 5/16-18 x 3/4 G5
0200	1727266ASM	1	PIVOT, Seat
0210	703949	6	SCREW, Hex Washer Head, Taptite, 5/16-18 x 5/8
0220	1729576SM	2	BOLT, Shoulder, 5/16-18 x 1-1/8 G5
0240	1739537YP	1	POD, RH
0250	1960536SM	6	SCREW, Hex Washer Head, Pastite, 1/4 x 1/2
0270	1731310ASM	1	SUPPORT, Seat Deck
0300	704065	2	BOLT, Carriage, 5/16-18 x 7/8 G5
0310	1754213YP	1	SEAT, Hi Back
0400	1722302SM	1	GRIP

Footnotes

The above parts group applies to the following Mfg. Nos.:

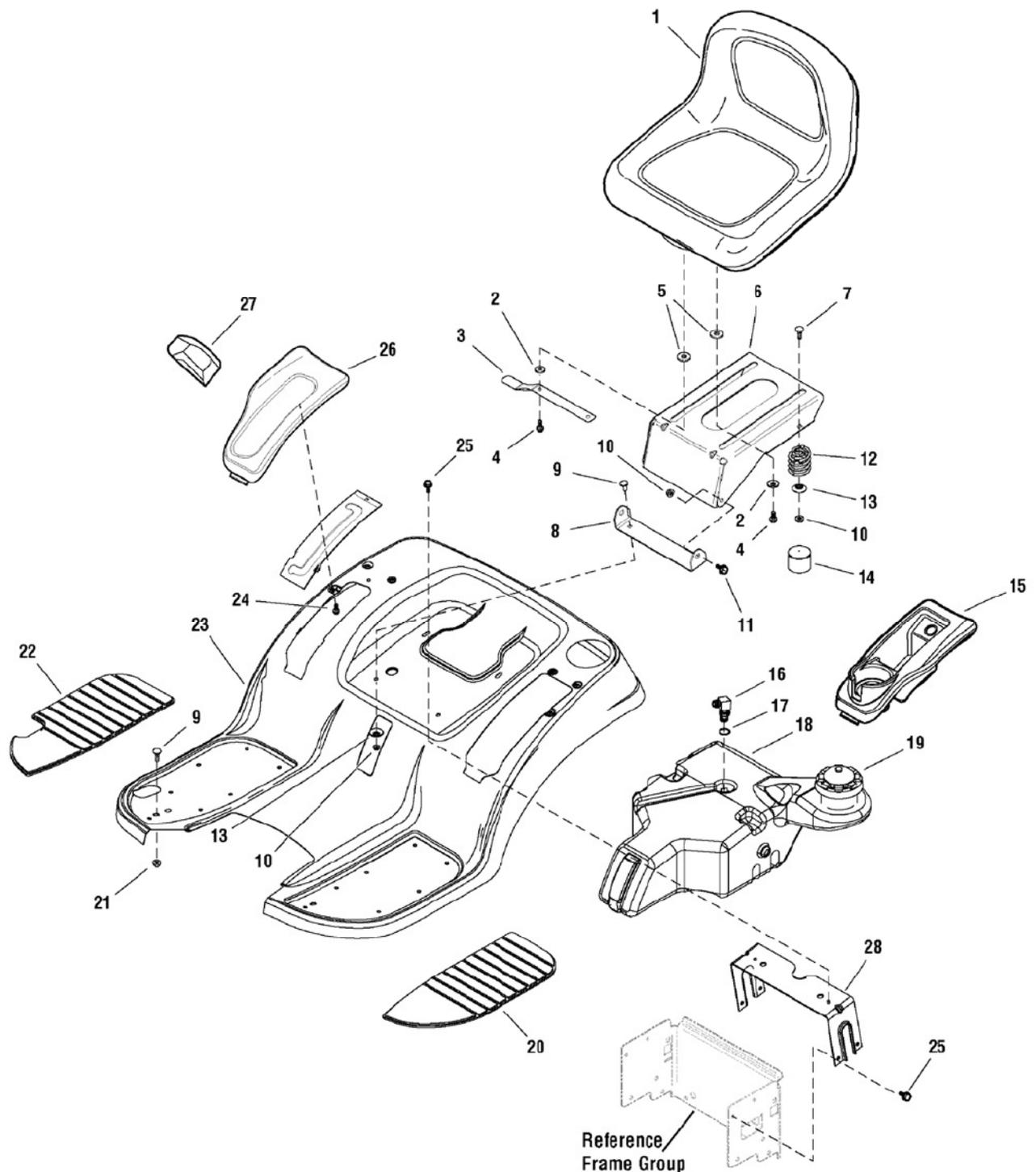
2691218-00 - ELT17542F

2691218-01 - ELT17542F

Seat Deck & Fuel Tank Group

NOTE: Unless noted otherwise,
use the standard hardware torque
specification chart.

987074



The above parts group applies to the following Mfg. Nos.:

2691262-00 - Regent EX2246

Seat Deck & Fuel Tank Group

REF NO	PART NO.	QTY.	DESCRIPTION
1	1730159	1	SEAT, Hi Back, Steel Pan
2	1919381	4	WASHER, Plain, 5/16
3	1727268	1	LATCH, Seat
4	1960667	4	CAPSCREW, Hex Head Flange Dog Point, 5/16-18 x 1
5	1731300	4	SPACER, 0.32 ID x 1-1/2 OD
6	1727265	1	SUPPORT, Seat
7	1960282	2	BOLT, Carriage, 5/16-18 x 3/4
8	1727266	1	PIVOT, Seat
9	1931333	4	BOLT, Carriage, 5/16-18 x 3/4
10	1960686	4	NUT, Hex Flange, ESNA, 5/16-18
11	1729576	2	BOLT, Shoulder, 5/16-18 G5
12	1704728	2	SPRING, Compression
13	1709256	4	WASHER, Spring Black
14	1704724	2	COVER, Spring
15	1729001	1	POD, LH Cup Holder
16	1674231	1	ELBOW FITTING
17	1654930	1	BUSHING
18	1727305	1	TANK, Fuel
19	5101651	1	CAP, Gas
20	1728006	1	PAD, Footrest L.H.
21	1931277	4	NUT, Hex, Flange Whizlock, 5/16-18
22	1728007	1	PAD, Footrest R.H.
23	1727264C	1	DECK, Seat w/Footrests
24	1960536	6	CAPSCREW, Hex, Washer Head, Plastite, 1/4-20 x 1/2
25	1930601	2	CAPSCREW, Taptite, 5/16-18 x 5/8
26	1729000	1	POD, RH Lift Quadrant
27	1722302	1	GRIP, Lift
28	1731310A	1	SUPPORT, Seat Deck

Footnotes

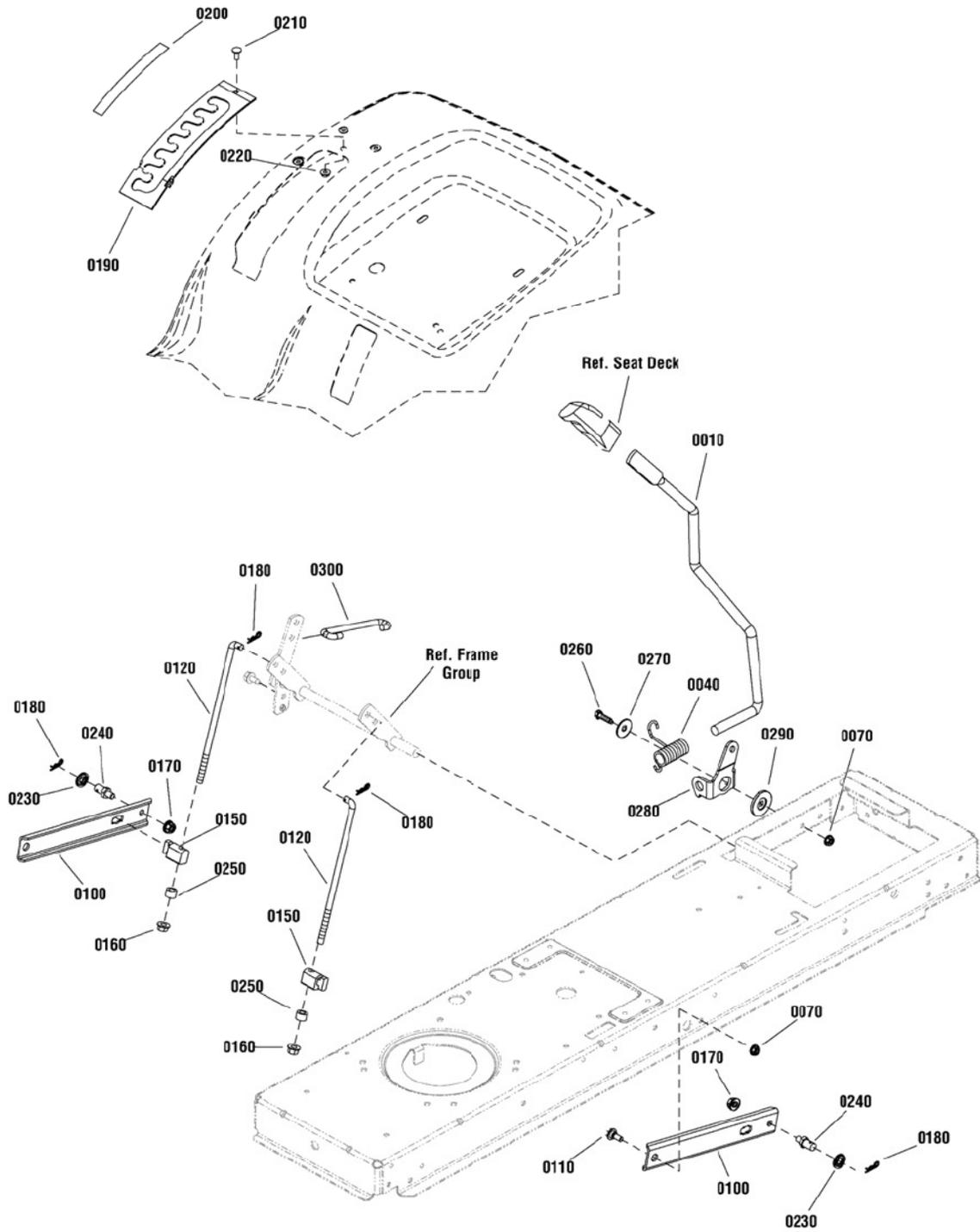
The above parts group applies to the following Mfg. Nos.:

2691262-00 - Regent EX2246

Lift Group - Manual

2987068

NOTE: Unless noted otherwise,
use the standard hardware torque
specification chart.



The above parts group applies to the following Mfg. Nos.:

2691218-00 - ELT17542F

2691218-01 - ELT17542F

Lift Group - Manual

REF NO	PART NO.	QTY.	DESCRIPTION
0010	1728070SM	1	ROD, Lift Handle, 17.7
0040	1729652SM	1	SPRING, Torsion, 2.12 Inch
0070	1931277SM	3	NUT, Hex Flange, 5/16-18
0100	1731417SM	2	ARM, Rear Lift
0110	1732426SM	2	BOLT, Shoulder
0120	1727955SM	2	ROD, Lower Lift, 10.00 LG
0150	1731894SM	2	TRUNNION
0160	1960687SM	2	NUT, Hex Flange, ESNA, 3/8-16
0170	1931211SM	2	NUT, Hex, Flange Lock, 3/8-16
0180	1960074SM	4	CLIP, Spring
0190	1727985SM	1	QUADRANT, Lift Height
0200	1730264SM	1	DECAL, Height Of Cut
0210	1960252SM	1	BOLT, Carriage, 1/4-20 x 5/8, G5
0220	1930641SM	1	NUT, Hex Flange Whiz, 1/4-20
0230	1960170SM	2	WASHER, 1/2
0240	094067MA	2	PIN, Threaded Shoulder
0250	1666294SM	2	SPACER
0260	1921333SM	1	CAPSCREW, Hex Head, 5/16-18 x 1
0270	1960044SM	1	WASHER, Plain, 21/64 x 1-1/4
0280	1728990ASM	1	CLEVIS, Lift
0290	1727935SM	1	SPACER, Pivot, 5/16 ID, 1-3/4 OD
0300	1727954SM	1	ROD, Lift, 5.43 LG

Not for
Reproduction

Footnotes

The above parts group applies to the following Mfg. Nos.:

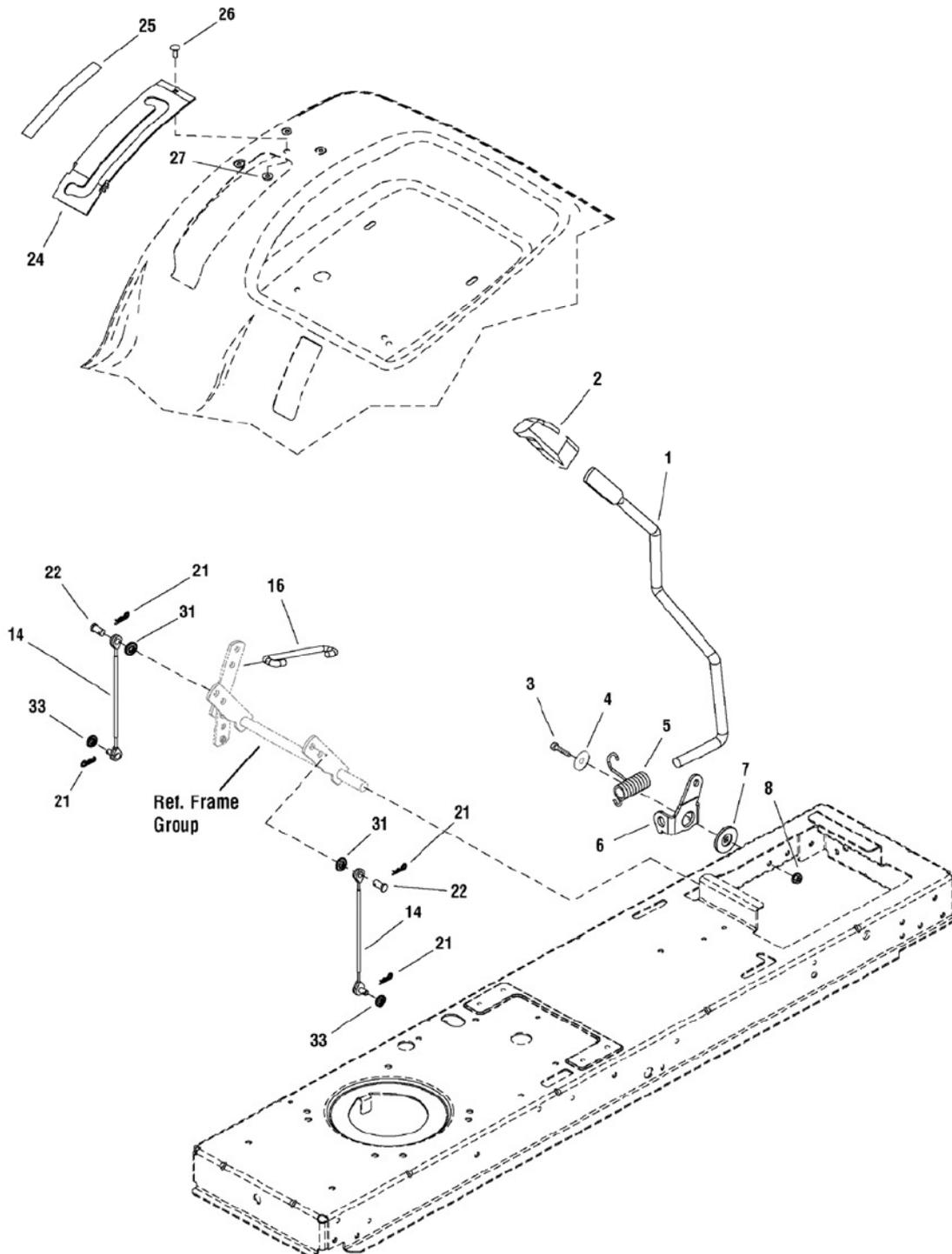
2691218-00 - ELT17542F

2691218-01 - ELT17542F

Lift Group - Roller Bar, Manual

987470

NOTE: Unless noted otherwise,
use the standard hardware torque
specification chart.



The above parts group applies to the following Mfg. Nos.:

2691262-00 - Regent EX2246

Lift Group - Roller Bar, Manual

REF NO	PART NO.	QTY.	DESCRIPTION
1	1728070	1	ROD, Lift Handle
2	1722302	1	GRIP
3	1921333	1	CAPSCREW, Hex Head 5/16-18 x 1 G5
4	1960044	1	WASHER, 5/16
5	1729652	1	SPRING, Torsion
6	1728990A	1	CLEVIS, Lift
7	1727935	1	SPACER, Pivot Powdered Metal
8	1931277	1	NUT, Hex Flange 5/16-18, Whiz Lock Small
14	1733125	2	CABLE, Lift w/Pin
14	1733126	2	CABLE, Lift w/Pin (Used on 46" & 52" Decks only)
16	1727954	1	ROD, Lift
21	1960074	2/4	CLIP, Hair Pin
22	1732049	12	PIN, Clevis
24	1729583	1	QUADRANT, Lift
25	1730263	1	DECAL, Mower Transport Lift
26	1960252	1	CARRIAGE BOLT, 1/4-20 x 5/8 G5
27	1930641	1	NUT, Hex Flange 1/4-20 Whiz Lock Large
31	1924940	1/2	WASHER, 3/8
33	1919326	1/2	WASHER, 5/16

Not for
Reproduction

Footnotes

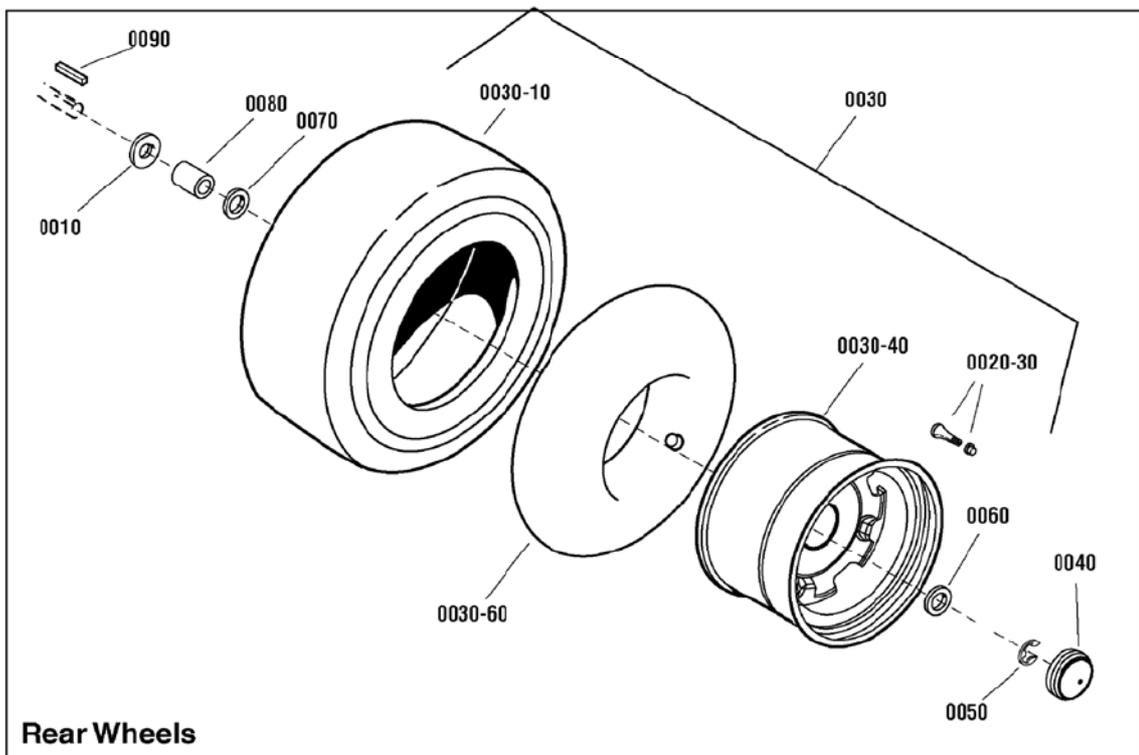
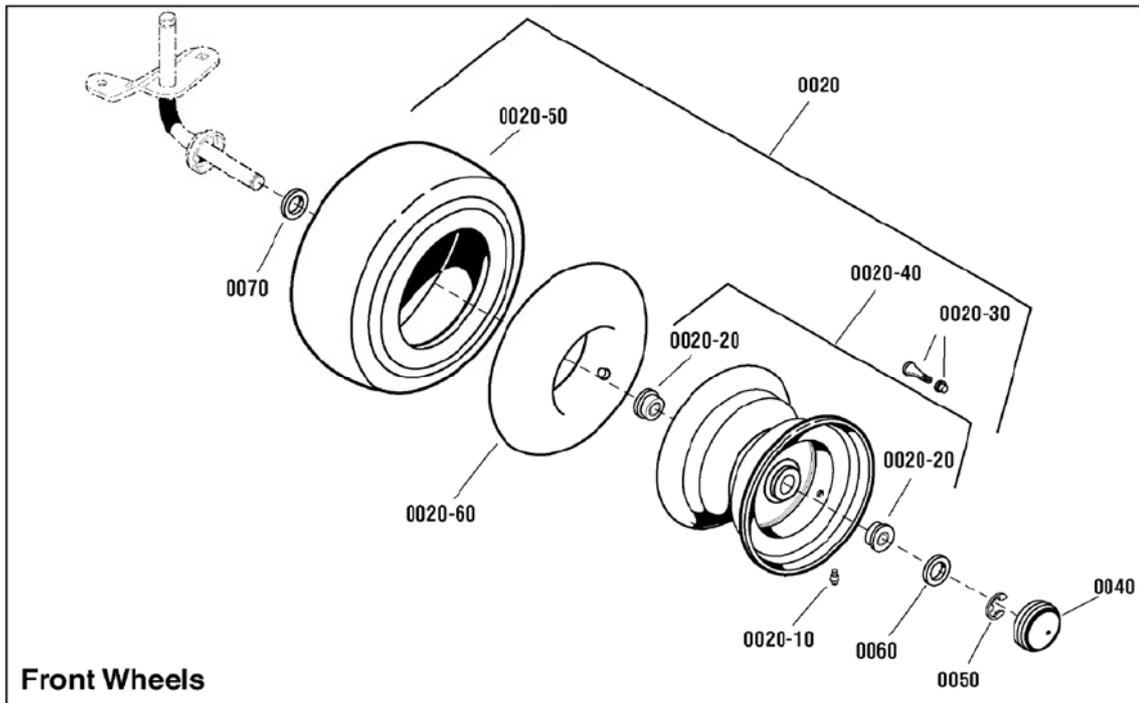
The above parts group applies to the following Mfg. Nos.:

2691262-00 - Regent EX2246

Wheels & Tires Group

2989231

NOTE: Unless noted otherwise,
use the standard hardware torque
specification chart.



The above parts group applies to the following Mfg. Nos.:

2691218-00 - ELT17542F

2691218-01 - ELT17542F

Wheels & Tires Group

REF NO	PART NO.	QTY.	DESCRIPTION
0010	2860202SM	2	WASHER, 3/4 x 1-5/8 OD x 1/8 Thick
0020	1729708SM	2	WHEEL & TIRE ASSEMBLY, Front
0020-10	2812808SM	1	FITTING, Lube, 1/4
0020-20	1742259YP	2	BEARING 3/4" ID Hard
0020-30	2172353YP	4	VALVE STEM & CAP, Air .453 Dia 0.88 Long
0020-40	1726301SM	1	WHEEL & BUSHINGS ASSEMBLY, Front
0020-50	1731951SM	1	TIRE, 15 x 6 - 6, Turf Rider
0020-60	1664090SM	2	TUBE
0030	7101560YP	2	WHEEL & TIRE ASSEMBLY, 20 x 8.0-8 (42" Models Only)
0030-10	7101559YP	2	TIRE, 20 x 8-8, K358 (42" Models Only)
0030-40	----	2	* RIM (All Models)
0030-60	2164247SM	2	TUBE (42" & 46" Models Only)
0040	094618MA	4	HUB CAP
0050	0011X3MA	4	E-RING, 3/4D, 1/2T
0060	17X195MA	4	WASHER, Flat
0070	17X160MA	4	WASHER, Flat, 3/4 x 1-1/4 x 16
0080	1730181SM	2	SPACER, 3/4 ID x 1-1/4 OD x 1.65
0090	021553MA	2	KEY, Square, 3/16

Not for
Reproduction

Footnotes

Note:* Not a serviceable part, service wheel complete

The above parts group applies to the following Mfg. Nos.:

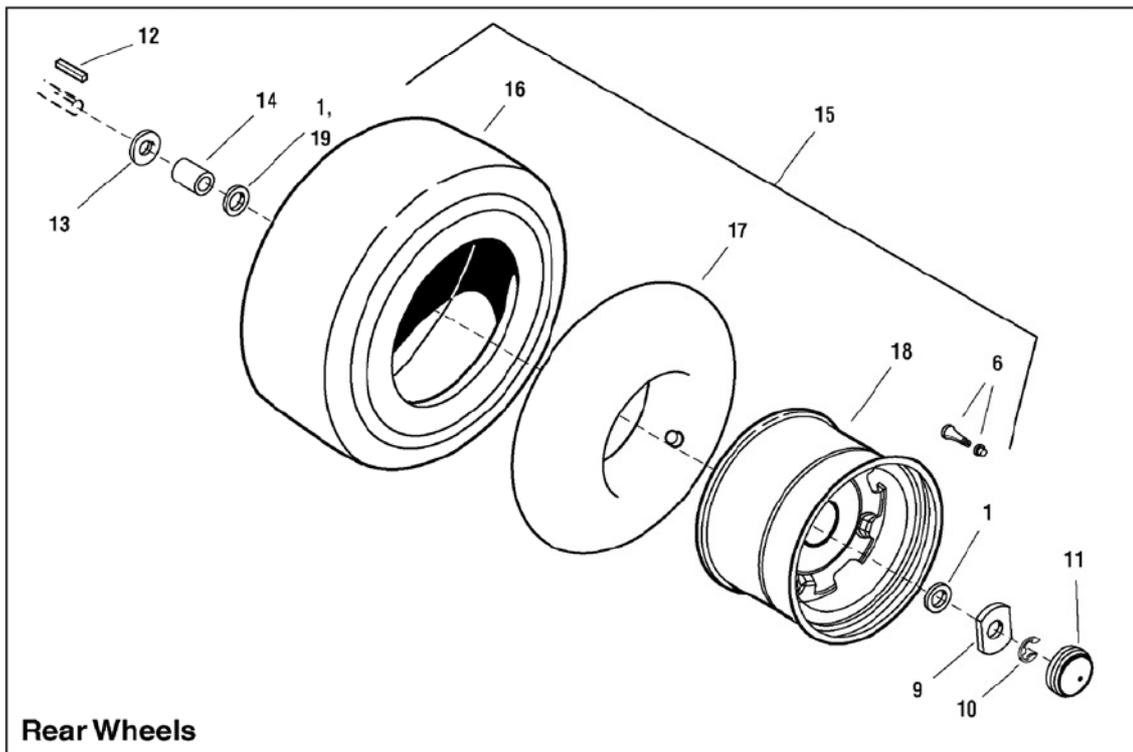
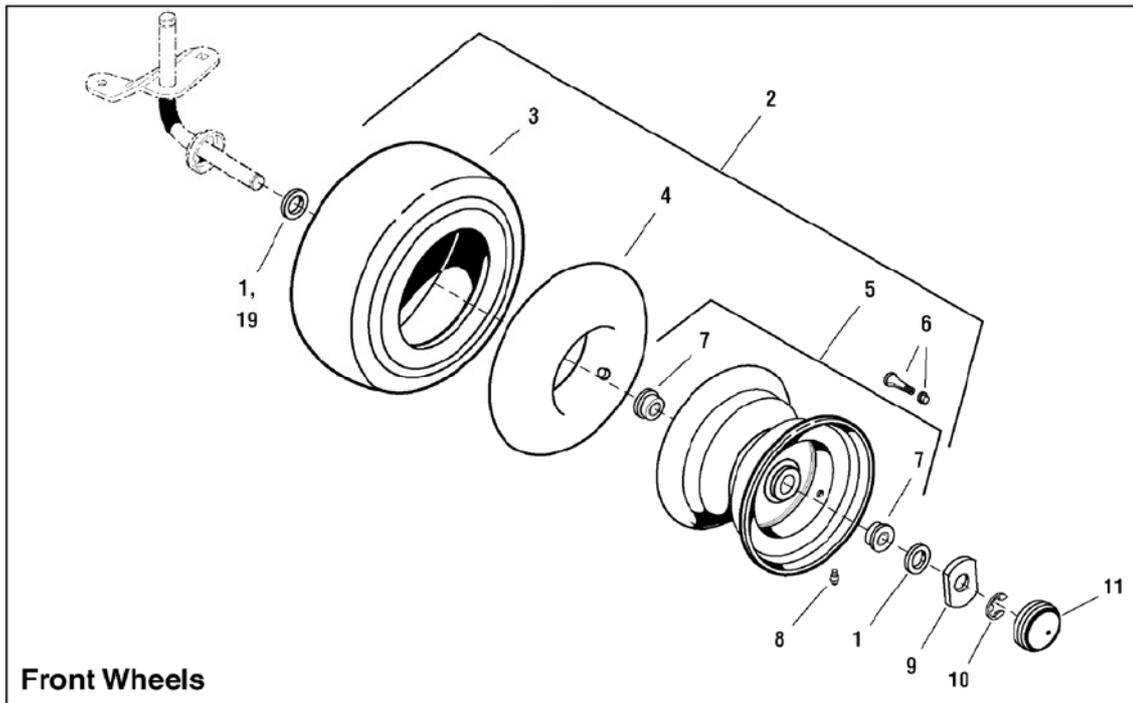
2691218-00 - ELT17542F

2691218-01 - ELT17542F

Wheels & Tires Group

NOTE: Unless noted otherwise,
use the standard hardware torque
specification chart.

W987692



The above parts group applies to the following Mfg. Nos.:
2691262-00 - Regent EX2246

Wheels & Tires Group

REF NO	PART NO.	QTY.	DESCRIPTION
1	2860183	8	WASHER, 3/4
1	722620	4	WASHER, Flat (Use on 22 Gross HP Models only)
2	1729708	2	WHEEL & TIRE ASSEMBLY, Front
3	1731951	1	TIRE, Turf 15 X 6.00 - 6 Saver TL
4	1664090	1	TUBE, Tire, Front
5	1726301	1	WHEEL & BUSHINGS ASSEMBLY, Front
6	2172353	2	VALVE STEM & CAP
7	1713167	4	BEARING
8	2812808	1	FITTING, Grease, 1/4-28 Thread
9	1722717	4	WASHER, Special Yellow
10	2827794	4	RING, Retaining
10	720010	4	RING, Retaining (Use on 22 Gross HP Models only)
11	1722676	4	CAP, Hub
11	721318	4	CAP, Hub (Use on 22 Gross HP Models only)
12	1713409	2	KEY, 3/16 x 3/16 x 3
12	720258	2	KEY, 3/16 x 3/16 x 2 (Use on 22 Gross HP Models only)
13	2860202	2	WASHER
14	1730181	2	SPACER, 3/4 ID x 1-1/4 OD x 1-5/8
15	1729709	2	WHEEL & TIRE ASSEMBLY, Rear 20"
15	7101560	2	WHEEL & TIRE ASSEMBLY, Rear 20" (Use on 20 Gross HP Model only)
15	1732324	2	WHEEL & TIRE ASSEMBLY, Rear 22" (Use on Model 2690840)
16	1731952	1	TIRE, Turf 20 X 8.00 - 8 Saver TL
16	7101559	2	TIRE, 20 x 830-8, 2 Ply, K358 (Use 7101560)
16	1732394	2	TIRE, 22 x 10.00-8, 2 Ply, K358
17	2164247	1	TUBE, Tire, Rear (Use on 20" Tire)
17	2173477	2	TUBE, Tire, Rear (Use on 22" Tire)
18	1731954	1	WHEEL, Hub
19	722598	4	WASHER, Flat, 3/4 x 1-1/4 (Use on 22 Gross HP Models only)

Footnotes

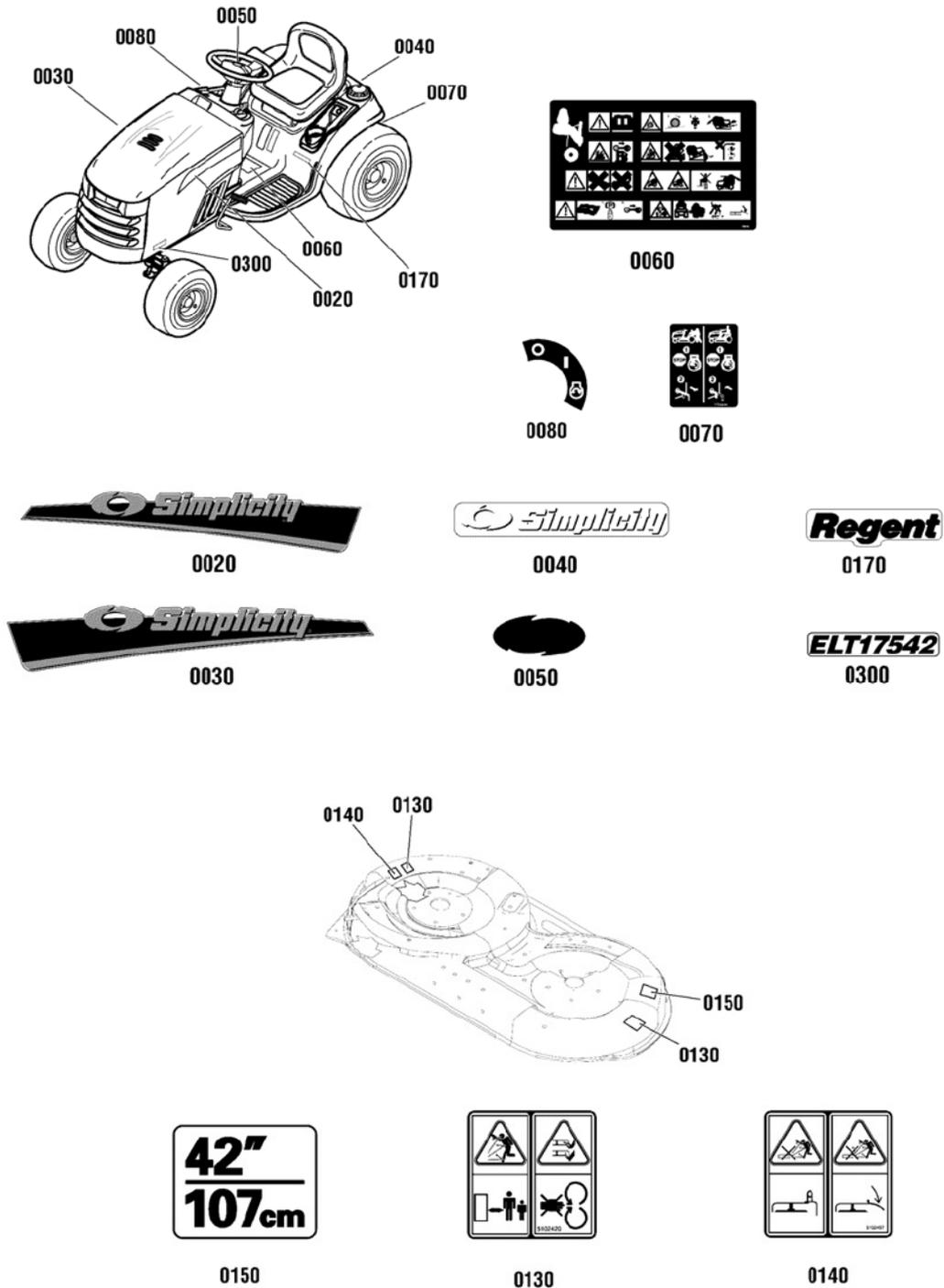
The above parts group applies to the following Mfg. Nos.:

2691262-00 - Regent EX2246

Decals Group

2991413

NOTE: Unless noted otherwise,
use the standard hardware torque
specification chart.



The above parts group applies to the following Mfg. Nos.:
2691218-00 - ELT17542F

Decals Group

REF NO	PART NO.	QTY.	DESCRIPTION
0020	1731390SM	1	DECAL, Simplicity, LH
0030	1731391SM	1	DECAL, Simplicity, RH
0040	1722551SM	1	DECAL, Simplicity Icon
0050	1731418SM	1	DECAL, Simplicity Branding
0060	1750191YP	1	DECAL, Tunnel
0070	1730202SM	1	DECAL, Transmission Tow / Release Lever
0080	1722806SM	1	DECAL, Ignition Switch
0130	5102420YP	2	DECAL, Danger, Cut Hand/Foot
0140	5102457YP	1	DECAL, Thrown Objects
0150	1755716YP	1	DECAL, Deck, 42"/107CM
0170	1722772SM	1	DECAL, Regent
0300	1757689YP	1	DECAL, Model

Not for
Reproduction

Footnotes

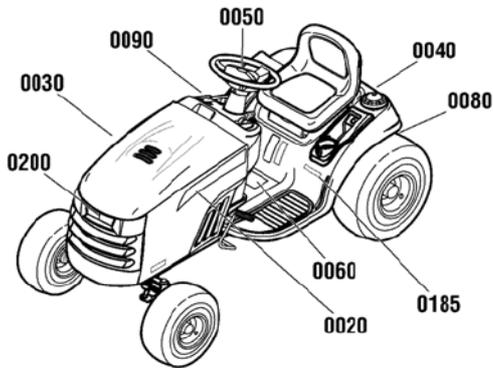
The above parts group applies to the following Mfg. Nos.:

2691218-00 - ELT17542F

Decals Group

2991479

NOTE: Unless noted otherwise, use the standard hardware torque specification chart.



0060



0300



0090



0080



0310

Simplicity

0020

Simplicity

0040

REGENT

0185

Simplicity

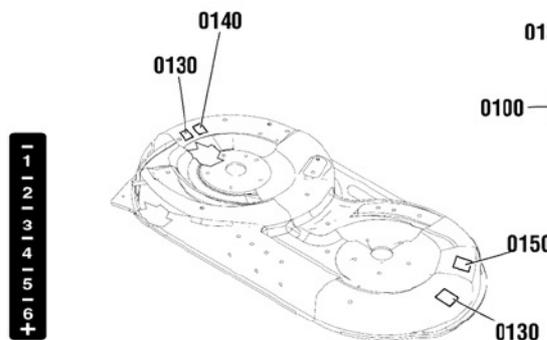
0030



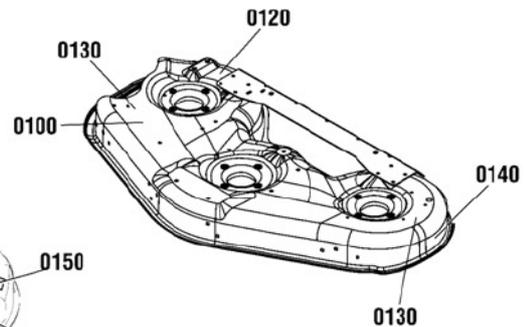
0050



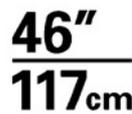
0200



0120



0150



0100



0130



0140

The above parts group applies to the following Mfg. Nos.:

2691218-01 - ELT17542F

2691262-00 - Regent EX2246

Decals Group

REF NO	PART NO.	QTY.	DESCRIPTION
0020	1755900YP	1	DECAL, Simplicity, LH
0030	1755901YP	1	DECAL, Simplicity, RH
0040	1755725YP	1	DECAL, Simplicity Icon
0050	1731418SM	1	DECAL, Simplicity Branding
0060	1750191YP	1	DECAL, Tunnel
0080	1730 202SM	1	DECAL, Transmission Tow / Release Lever
0090	1722806SM	1	DECAL, Ignition Switch
0100	1755718YP	1	DECAL, Deck, 46In/117cm 46 Inch/117 cm units only
0120	1737541YP	1	DECAL, Height Of Cut
0130	5102420YP	2	DECAL, Danger, Cut Hand/Foot
0140	5102457YP	1	DECAL, Thrown Objects
0150	1755716YP	1	DECAL, Deck, 42"/107CM 42 Inch/117 cm units only
0185	1755748YP	1	DECAL, Regent
0200	1755798YP	1	BADGE, 3D Simplicity Logo
0300	706112	1	DECAL, Equipment Soley For Export, Exempt
0310	1754246YP	1	DECAL, Powered By Briggs

Not for
Reproduction

Footnotes

The above parts group applies to the following Mfg. Nos.:

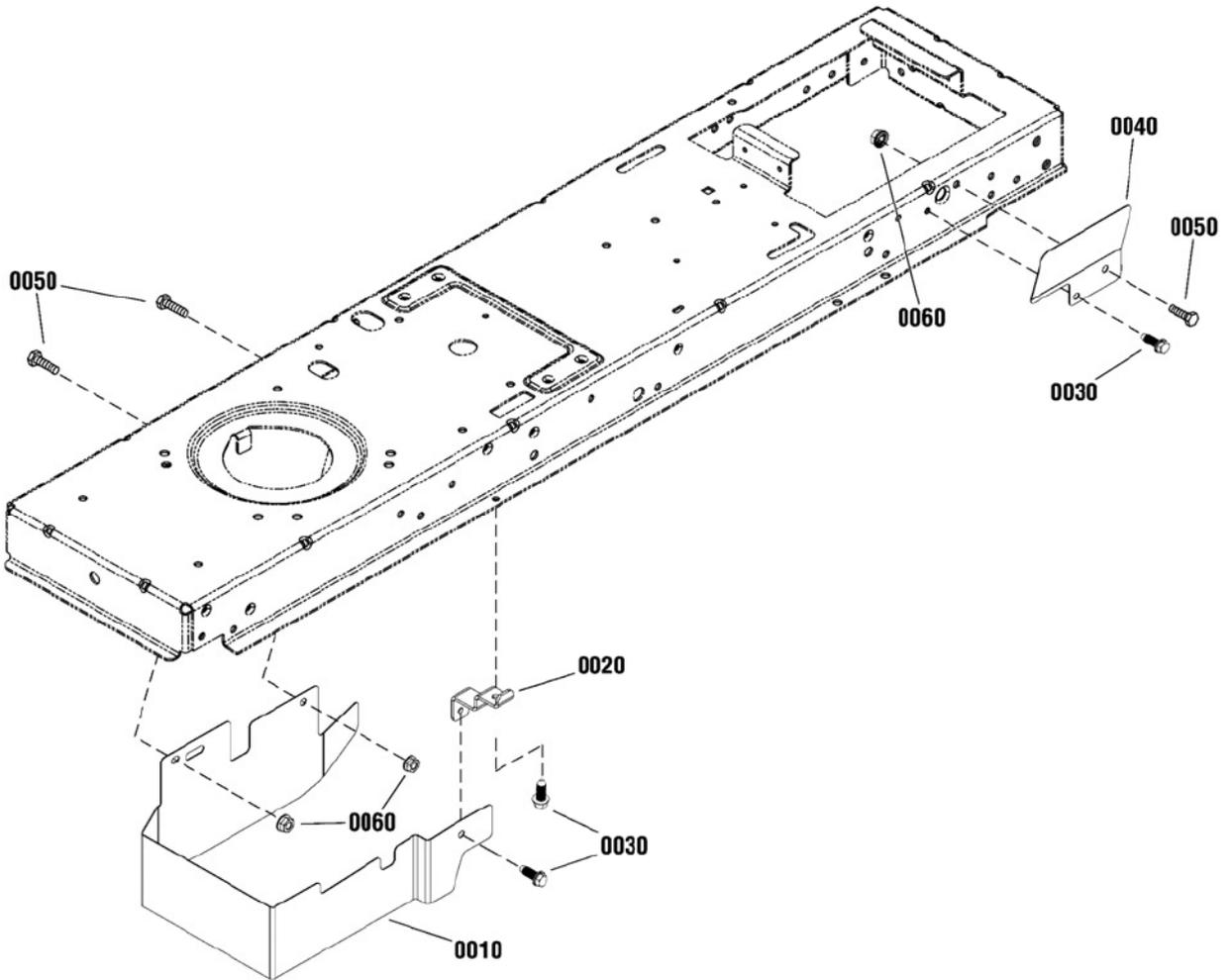
2691218-01 - ELT17542F

2691262-00 - Regent EX2246

French Guard Group

NOTE: Unless noted otherwise,
use the standard hardware torque
specification chart.

2991490



The above parts group applies to the following Mfg. Nos.:

2691218-00 - ELT17542F

2691218-01 - ELT17542F

French Guard Group

REF NO	PART NO.	QTY.	DESCRIPTION
0010	1758016BMYP	1	GUARD, Engine Pulley
0020	1752160BMYP	1	BRACKET, Guard Support
0030	703949	3	SCREW, Washer, 5/16-18 x 5/8
0040	1752039BMYP	1	GUARD, Rear Pulley
0050	704287	3	CAPSCREW, HexHead, 5/16-18 x 3/4, GR5
0060	703409	3	NUT, Flange, 5/16-18, GR5

Not for
Reproduction

Footnotes

The above parts group applies to the following Mfg. Nos.:

2691218-00 - ELT17542F

2691218-01 - ELT17542F

42" Mower Deck - Clutch Group

REF NO	PART NO.	QTY.	DESCRIPTION
0010	1922130	2	CAPSCREW, Hex Head, 3/8-16 x 2-1/4, G5
0020	1922755	4	WASHER, 3/8
0030	7018574	2	IDLER, Flat, 4.12
0040	1960339	2	NUT, Hex Flange, Mac Lock, 3/8-16
0050	1924356	4	WASHER, 3/8
0060	1731944A	1	ARM, Idler
0070	1931211	2	NUT, Hex Flange, Whiz Lock, 3/8-16
0080	1731311	1	SPRING, Extension, 7-3/4"
0090	1933468	2	WASHER, 5/16
0100	1729007	1	SPACER, 3/8 ID x 1-1/2 OD x 1"
0110	1732955	1	V-BELT, A-Wedge, HA, 94.45 LG
0120	1731911A	1	SUPPORT, Idler
0140	1921971	1	CAPSCREW, Hex Head, 3/8-16 x 1-3/4, G5
0150	1923325	2	CAPSCREW, Hex Head, 5/16-18 x 7/8, G5
0160	1931277	2	NUT, Hex Flange, Whiz Lock, 5/16-18
0170	1732884A	1	GUARD, Spring

Not for
Reproduction

Footnotes

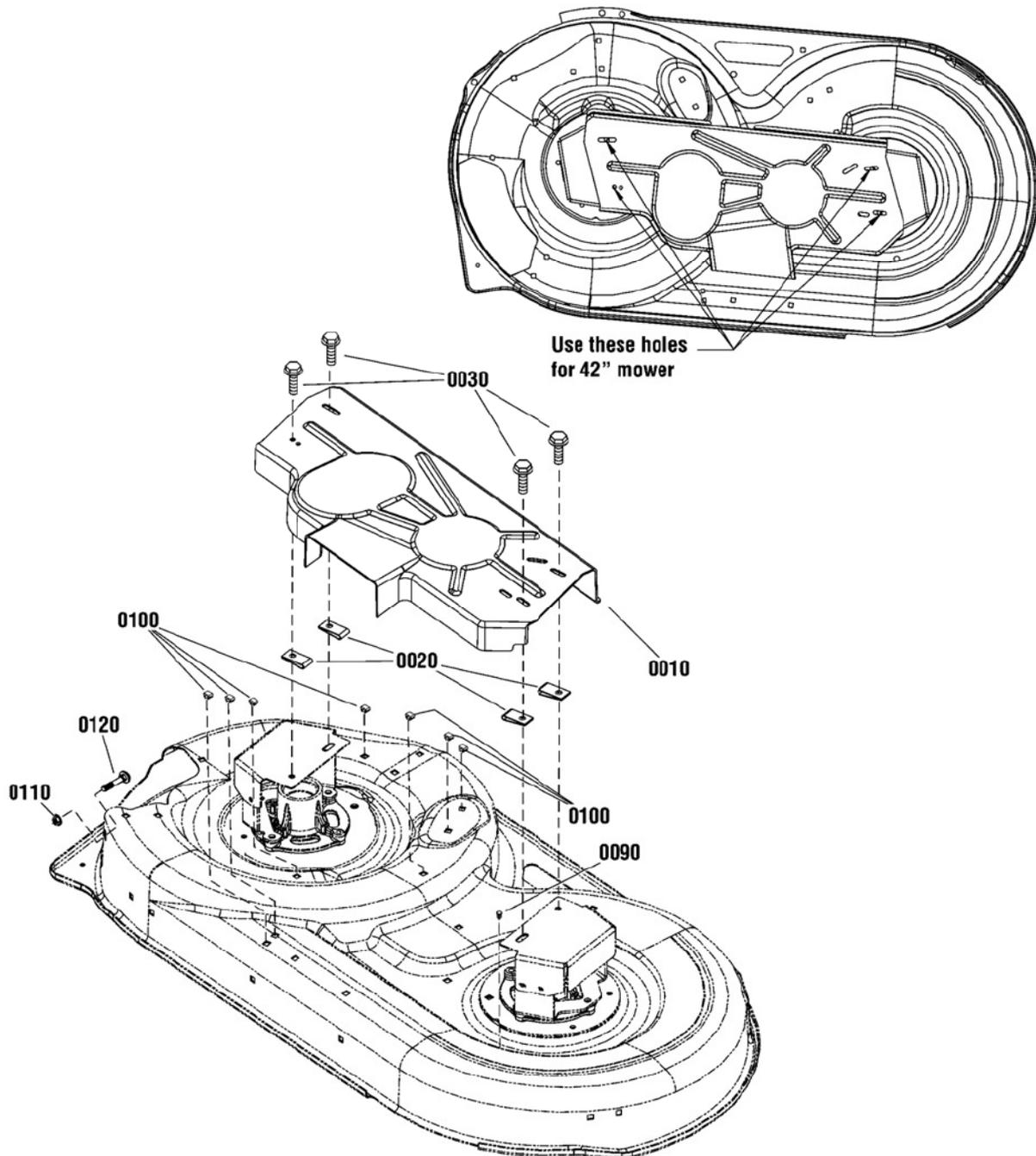
The above parts group applies to the following Mfg. Nos.:

1696440-00 - 42" Mower
1696440-01 - 42" Mower
2691218-00 - ELT17542F
2691218-01 - ELT17542F

42" Mower Deck - French Guard Group

2991489

NOTE: Unless noted otherwise,
use the standard hardware torque
specification chart.



The above parts group applies to the following Mfg. Nos.:

1696440-00 - 42" Mower
1696440-01 - 42" Mower
2691218-00 - ELT17542F
2691218-01 - ELT17542F

42" Mower Deck - French Guard Group

REF NO	PART NO.	QTY.	DESCRIPTION
0010	1751850YP	1	GUARD, Mower Housing
0020	1926018SM	4	NUT, Speed, 1/4
0030	1960295SM	4	SCREW, Hex Head, 1/4-20 x 5/8
0090	7046780SM	1	PLUG, Hole, 1/2 Inch, Round
0100	1705115SM	7	PLUG, Hole, 1/2 x 5/16 Inch, Rectangular
0110	703409	1	NUT, Flange, 5/16-18, G5
0120	703185	1	BOLT, Carriage, Short Neck, 5/16-18 x 3/4 Inch, G5

Not for
Reproduction

Footnotes

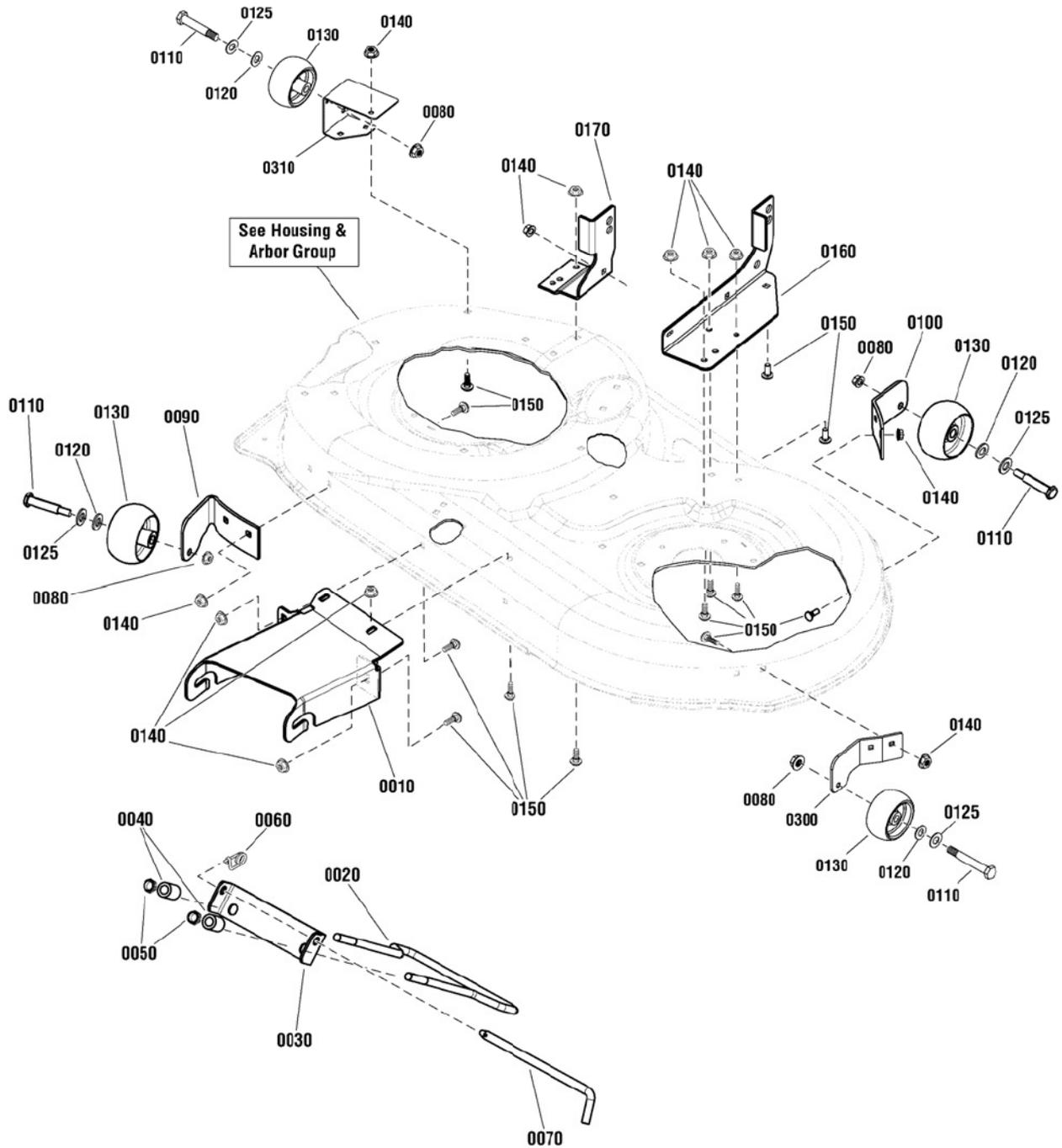
The above parts group applies to the following Mfg. Nos.:

1696440-00 - 42" Mower
1696440-01 - 42" Mower
2691218-00 - ELT17542F
2691218-01 - ELT17542F

42" Mower Deck - Height Adjustment

2990346

NOTE: Unless noted otherwise, use the standard hardware torque specification chart.



The above parts group applies to the following Mfg. Nos.:

- 1696440-00 - 42" Mower
- 1696440-01 - 42" Mower
- 2691218-00 - ELT17542F
- 2691218-01 - ELT17542F

42" Mower Deck - Height Adjustment

REF NO	PART NO.	QTY.	DESCRIPTION
0010	1731966BMYP	1	HITCH, Front
0020	1730097SM	1	ROD
0030	1730221ASM	1	HANGER, Front
0040	1679166SM	2	SPACER
0050	1960379SM	2	NUT, Hex Lock, ESNA Light, 1/2-13
0060	703852	1	PIN, Retainer, 5/16
0070	1731414SM	1	ROD, Latch
0080	703158	4	NUT, Hex Flange, ESNA, 3/8-16
0090	1731402ASM	1	BRACKET, Gauge Wheel, Front, RH
0100	1731403ASM	1	BRACKET, Gauge Wheel, Rear, LH
0110	2108765SM	4	BOLT, Wheel, 3/8-16 x 2-3/4
0120	703853	4	WASHER, 1/2 ID x 1 OD
0125	0020X3MA	4	WASHER, Spring, 1/2
0130	1714760SM	4	WHEEL
0140	703409	17	NUT, Flange, 5/16-18, GR5
0150	703185	17	BOLT, Carriage, Short Neck, 5/16-18 x 3/4, GR5
0160	1753662BMYP	1	SUPPORT, Mower, LH
0170	1753663BMYP	1	SUPPORT, Mower, RH
0300	1732258BMYP	1	BRACKET, Gauge Wheel, Front, LH
0310	7301171BMYP	1	BRACKET, Gauge Wheel, Rear, RH

Not for
Reproduction

Footnotes

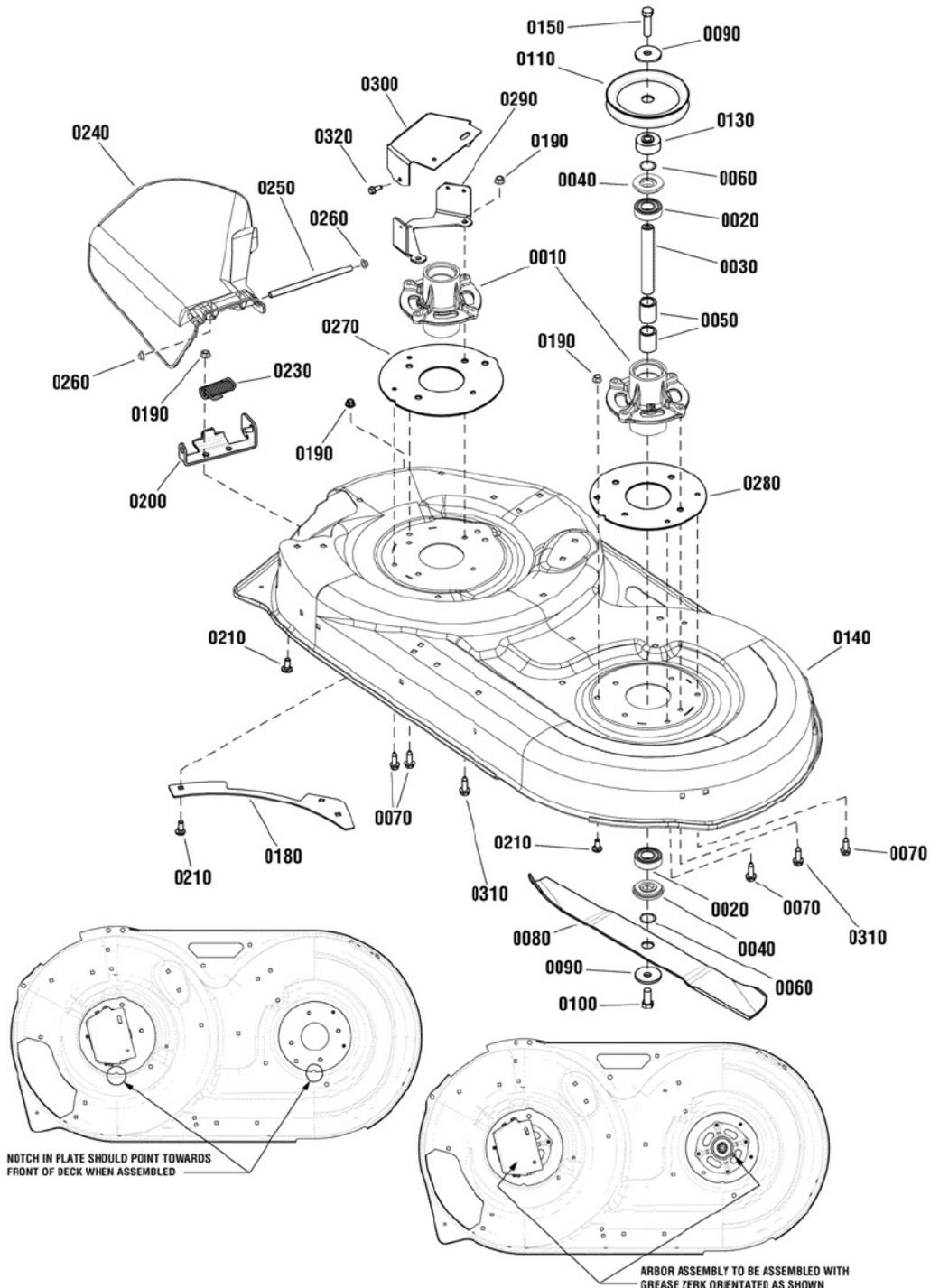
The above parts group applies to the following Mfg. Nos.:

1696440-00 - 42" Mower
1696440-01 - 42" Mower
2691218-00 - ELT17542F
2691218-01 - ELT17542F

42" Mower Deck - Housing, Arbors & Blades Group

2990114

NOTE: Unless noted otherwise,
use the standard hardware torque
specification chart.



The above parts group applies to the following Mfg. Nos.:

- 1696440-00 - 42" Mower
- 1696440-01 - 42" Mower
- 2691218-00 - ELT17542F
- 2691218-01 - ELT17542F

42" Mower Deck - Housing, Arbors & Blades Group

REF NO	PART NO.	QTY.	DESCRIPTION
0010	1735573	2	HOUSING, Spindle
0020	1735399	4	BEARING, Ball, 20mm
0030	1735326	2	SHAFT, Spindle
0040	1735323	4	SHIELD, Arbor
0050	1735328	4	SPACER, Bearing
0060	1960766	4	RING, Self Lock
0070	1960373	4	SCREW, Hex Washer Head, Taptite, 5/16-18 x 1
0080	1752100A	2	BLADE, 42"
0090	1656916	4	WASHER, Spring, 1/2
0100	1920676	2	CAPSCREW, Hex Head, 7/16-14 x 1, G5
0110	1737835	2	PULLEY, V, Deep Groove
0130	1737457	2	SPACER, Pulley
0140	1736504C	1	HOUSING, Mower Deck, 42
0150	1923027	2	CAPSCREW, Hex Head, 7/16-14 x 1-3/4, G5
0180	721083A	2	PLATE, Rear
0190	1931277	10	NUT, Hex Flange, Whiz Lock, 5/16-18
0200	721369A	1	BRACKET, Hinge
0210	1931333	6	BOLT, Carriage, Short Neck, 5/16-18 x 3/4 G5
0230	720154	1	SPRING, Torsion
0240	721339	1	DEFLECTOR & SUPPORT ASSEMBLY
0250	721371	1	ROD, Deflector
0260	1960093	2	NUT, Push Pal, 3/8
0270	1750457BM	1	PLATE, Spindle, RH
0280	1750458BM	1	PLATE, Spindle, LH
0290	1752065BM	2	BRACKET, Guard Mount
0300	1752034BM	2	COVER, Mower Spindle
0310	1930600	8	SCREW, Hex Washer Head, Taptite, 5/16-18 x 1-1/2
0320	722866	6	SCREW, Hex, 1/4-20 x 5/8

Footnotes

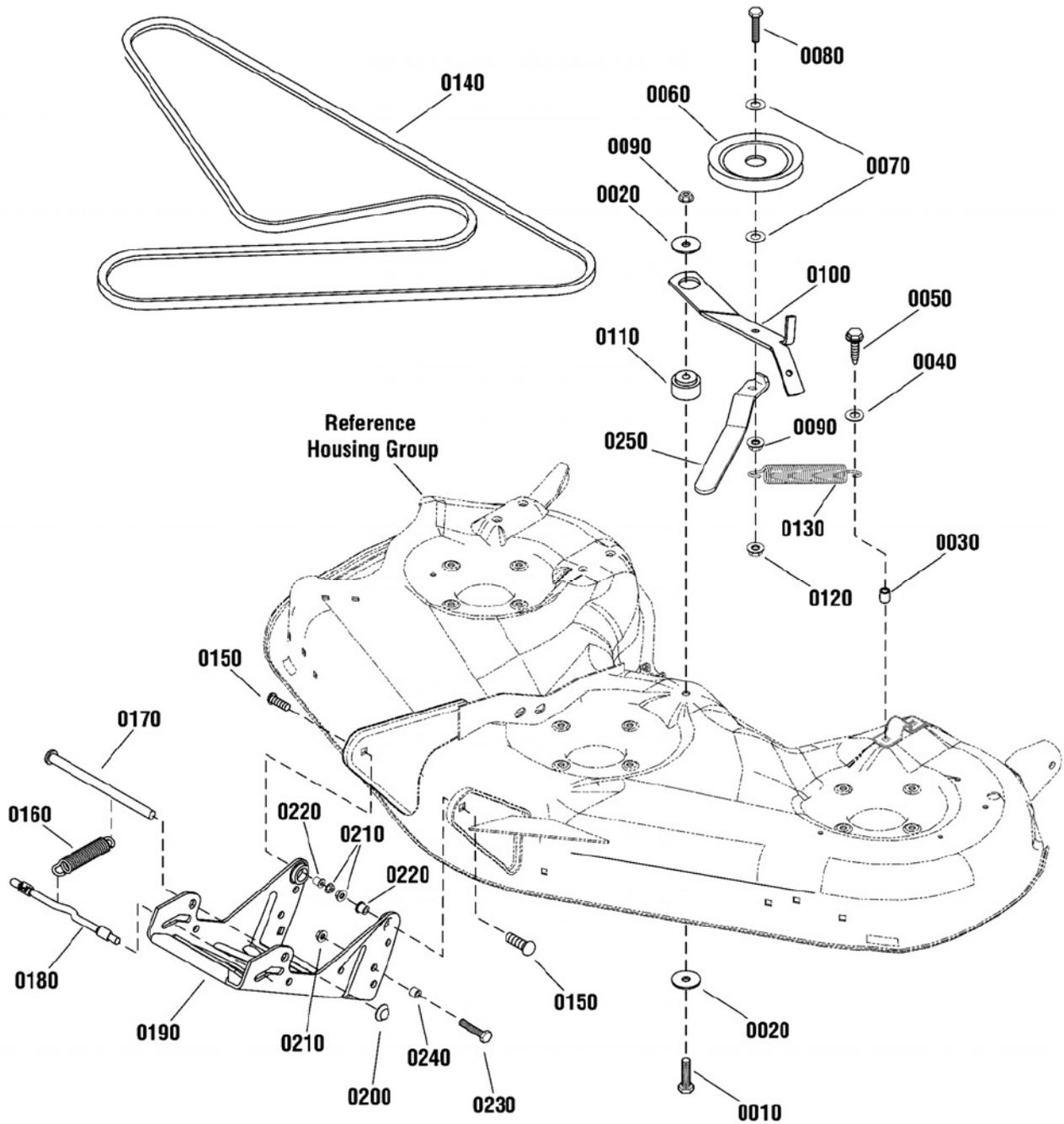
The above parts group applies to the following Mfg. Nos.:

1696440-00 - 42" Mower
1696440-01 - 42" Mower
2691218-00 - ELT17542F
2691218-01 - ELT17542F

46" & 52" Mower Deck - Clutch Group

2988326

NOTE: Unless noted otherwise,
use the standard hardware torque
specification chart.



The above parts group applies to the following Mfg. Nos.:

1696586-00 - 46" Mower
2691262-00 - Regent EX2246

46" & 52" Mower Deck - Clutch Group

REF NO	PART NO.	QTY.	DESCRIPTION
0010	1922130SM	1	CAPSCREW, Hex Head, 3/8-16 x 2-1/4 G5
0020	1924356SM	2	WASHER, 3/8 x 1-1/2
0030	1710703SM	1	SPACER, 5/16ID x 1/2OD x 5/8
0040	1924874SM	1	WASHER, 5/16 x 7/8
0050	1930600SM	1	CAPSCREW, Hex Washer Head, Taptite, 5/16-18 x 1-1/2
0060	1736540YP	1	PULLEY, Idler
0070	1922755SM	2	WASHER, 3/8 x 1
0080	1933685SM	1	CAPSCREW, Hex Head, 3/8-16 x 2-1/2 G5
0090	1960339SM	2	NUT, Hex Flange, MAC Lock, 3/8-16
0100	1736551AYP	1	ARM, Idler
0110	1729007SM	1	SPACER, 3/8ID x 1-1/2 OD x 1
0120	1931211SM	1	NUT, Hex Flange, Whiz Lock, 3/8-16
0130	1715435SM	1	SPRING, Extension, 1"
0140	1732956SM	1	V-BELT, Arbor Drive, .44" Deep-Groove, 118" (46" Mower)
0140	1736516YP	1	V-BELT, Arbor Drive, HA 132" (52" Mower)
0150	7091945YP	2	BOLT, Carriage, 3/8-16 x 1-1/2 GR5
0160	2156302SM	1	SPRING, Extension, 4-1/4"
0170	1713578SM	1	ROD, 1/2" Dia., 7-5/8" Long
0180	1715759SM	1	ROD, 3/8" Dia., 8" Long
0190	1737563AYP	1	HITCH
0200	1960519SM	1	PUSHNUT, 1/2
0210	1960687SM	3	NUT, Hex Flange, ESNA, 3/8-16
0220	1732443SM	2	SPACER, 3/8ID x 3/4OD x 3/4
0230	703407	1	CAPSCREW, 3/8-16 x 1
0240	5044960SM	1	SPACER, .39ID x 1 OD x 1/4
0250	1755653BMYP	1	HANDLE, Idler Arm

Footnotes

The above parts group applies to the following Mfg. Nos.:

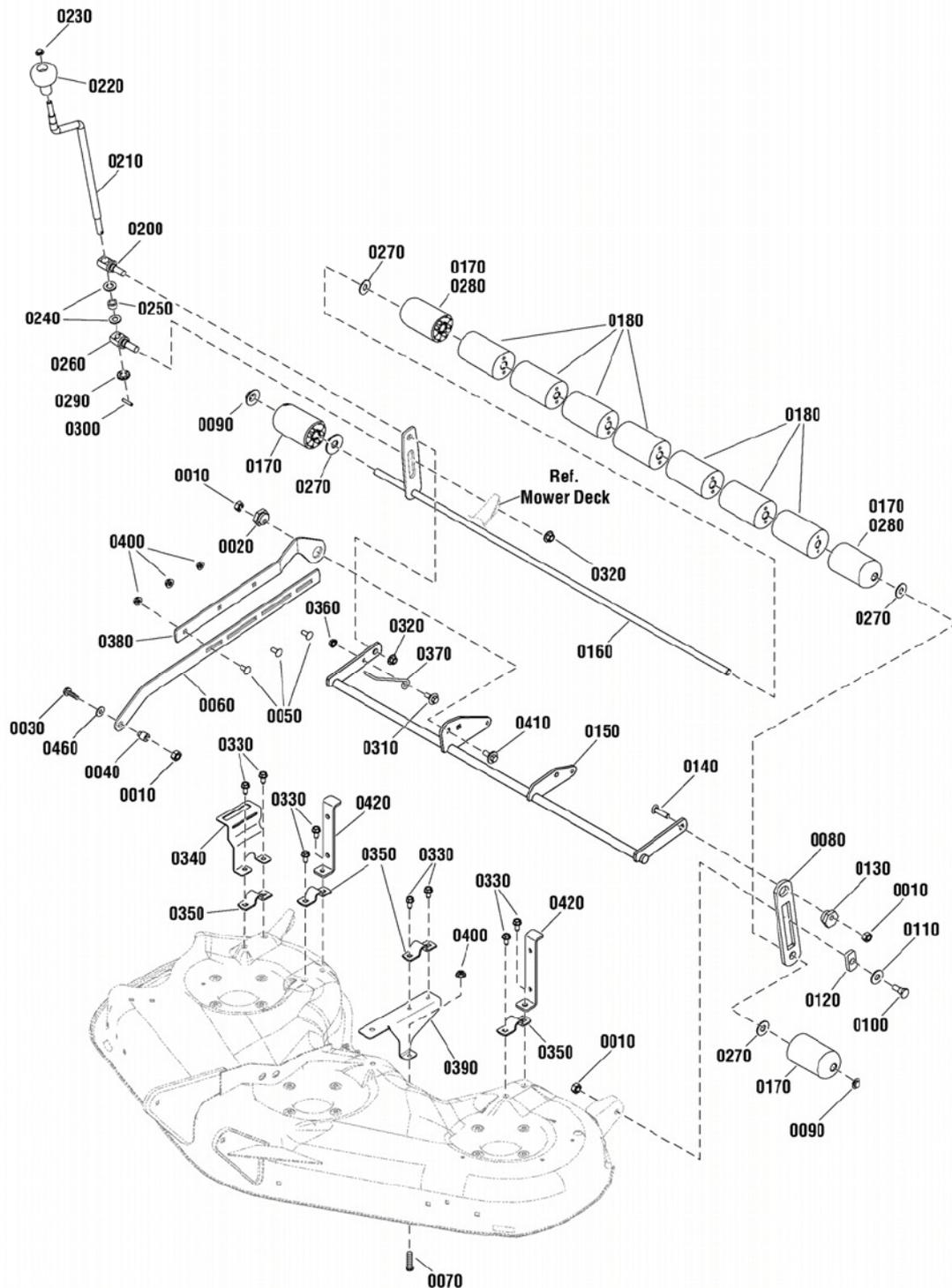
1696586-00 - 46" Mower

2691262-00 - Regent EX2246

46" & 52" Mower Deck - Height Adjustment & Roller Bar Group

2990910

NOTE: Unless noted otherwise,
use the standard hardware torque
specification chart.



The above parts group applies to the following Mfg. Nos.:

1696586-00 - 46" Mower
2691262-00 - Regent EX2246

46" & 52" Mower Deck - Height Adjustment & Roller Bar Group

REF NO	PART NO.	QTY.	DESCRIPTION
0010	2860681SM	4	NUT, Hex Toplock, Spiral Lock Flange, 3/8-16
0020	1727381SM	1	NUT, Hex Adjusting
0030	1921971SM	1	CAPSCREW, Hex Head, 3/8-16 x 1-3/4, G5
0040	1706644SM	1	SPACER
0050	703185	3	BOLT, Carriage, 5/16-18 x 3/4 GR5
0060	1739554AYP	1	ARM, Pitch Adjustment, Front
0070	703185	1	BOLT, Carriage, 5/16-18 x 3/4
0080	1755088BMYP	1	BAR, Roller
0090	1960520SM	2	PUSHNUT, 5/8
0100	2172622SM	1	BOLT, Shoulder, 3/8-16 x 1-3/8
0110	1924361SM	1	WASHER, 1/2 x 1-1/4
0120	1677507SM	1	SLIDE
0130	1704082SM	1	NUT, Hex Adjusting
0140	7091945YP	1	BOLT, Carriage, 3/8-16 x 1-1/2 GR5
0150	1753795BMYP	1	SHAFT, Rocker
0160	1755611BMYP	1	SHAFT, Roller, 40.8" Lg (Use on 46" Deck)
0160	1755610BMYP	1	SHAFT, Roller, 42.88" Lg (Use on 52" Deck)
0170	1722036SM	2	ROLLER, Rounded, 4.10" Lg (Qty 4 used on 52" Deck)
0180	1668513SM	7	ROLLER
0200	1733258SM	1	TRUNNION, L.H. Thread
0210	1719901SM	1	CRANK, Height Adjust
0220	1714084SM	1	KNOB, Spinner
0230	1960093SM	1	PUSHNUT, 3/8
0240	1960170SM	2	WASHER, 1/2 x 1 (Qty 3 used on 52" Deck)
0250	1716953SM	1	SPACER, 7/16 ID x 3/4 OD x 3/8
0260	1733257SM	1	TRUNNION
0270	1924366SM	4	WASHER, 5/8
0280	1717675SM	2	ROLLER, Rounded, 2.05" Lg (Used on 46" Decks)
0290	1704097SM	1	WASHER, Detent
0300	2816001SM	1	PIN, Spring
0310	009X67MA	1	BOLT, Shoulder, 5/16-18 x 1/2
0320	1930644SM	2	NUT, Hex Flange, Two-Way Lock 1/2-13
0330	1664847SM	7	CAPSCREW, Hex Washer Head, Taptite, 5/16-18 x 3/4
0340	1736850AYP	1	BRACKET, Height of Cut
0350	1665374SM	4	STRAP, Rocker Shaft
0360	015X79MA	1	NUT, Hex Flange Serrated, 5/16-18
0370	1736851YP	1	ROD, Height of Cut Indicator
0380	1753817BMYP	1	ARM, Pitch Adjustment
0390	1734806AYP	1	BRACKET, Rocker Shaft (Use on 46" Deck)
0390	1737011BMYP	1	BRACKET, Rocker Shaft (Use on 52" Deck)
0400	703409	4	NUT, Hex Flange Serrated, 5/16-18
0410	1960268SM	1	BOLT, Carriage, 3/8-16 X 1-1/4
0420	1737219BMYP	2	UPSTOP, Rear (Qty 1 Used on 52" Deck)
0460	71072MA	1	WASHER, 3/8

Footnotes

The above parts group applies to the following Mfg. Nos.:

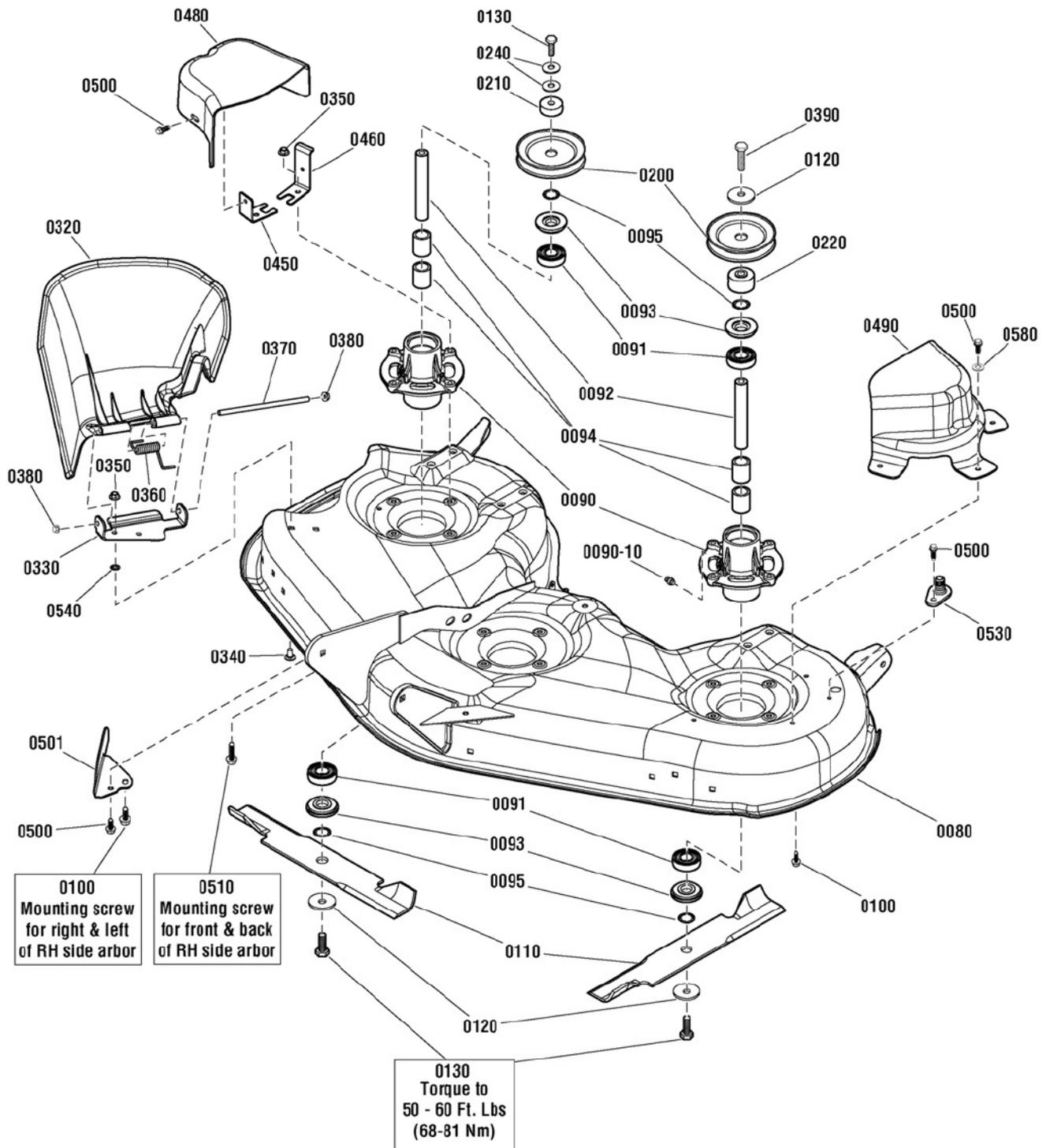
1696586-00 - 46" Mower

2691262-00 - Regent EX2246

46" & 52" Mower Deck - Housing, Arbors & Blades Group

2990952

NOTE: Unless noted otherwise,
use the standard hardware torque
specification chart.



The above parts group applies to the following Mfg. Nos.:

1696586-00 - 46" Mower
2691262-00 - Regent EX2246

46" & 52" Mower Deck - Housing, Arbors & Blades Group

REF NO	PART NO.	QTY.	DESCRIPTION
0080	1735709CYP	1	MOWER DECK, 46"
0080	1753759CYP	1	MOWER DECK, 52"
0090	1735573YP	3	HOUSING, Spindle
0091	1735399YP	6	BEARING, Ball, 20mm
0092	1735326YP	3	SHAFT, Spindle
0093	1735323YP	6	SHIELD, Arbor, 2.050 OD
0094	1735328YP	6	SPACER, Bearing
0095	1960766YP	6	RING, Self Lock
0100	1960373SM	10	SCREW, Hex Washer Head, Taptite, 5/16-18 x 1
0110	1737228AYP	3	BLADE, 46" Mower
0110	1737252AYP	3	BLADE, 52" Mower
0120	1656916SM	4	WASHER, Spring, 0.475ID x 1-3/4 OD
0130	1920676SM	5	CAPSCREW, Hex Head, 7/16-14 x 1, G5
0200	1735686YP	3	PULLEY, 4.6 OD, Split (46" Mower)
0200	1735733YP	3	PULLEY, 5.5OD, Split (52" Mower)
0210	1735579YP	2	SPACER, Lower Drive
0220	1736445YP	1	SPACER, Pulley
0240	1960769YP	4	WASHER, Belleville
0320	1754745YP	1	DEFLECTOR, 46/52
0330	1754868BMYP	1	BRACKET, Hinge
0340	703125	2	BOLT, Carriage, 5/16-18 x 5/8, GR5
0350	703409	4	NUT, Flange, 5/16-18, GR5
0360	1755412YP	1	SPRING, Torsion
0370	1759064YP	1	ROD, Deflector
0380	7012542YP	2	NUT, Push, 5/16
0390	703171	1	CAPSCREW, Hex Head, 7/16-14 x 1-3/4, GR5
0450	1736518BMYP	1	BRACKET, Belt Cover, Front
0460	1736519BMYP	1	BRACKET, Belt Cover, Rear
0490	1735750YP	1	COVER, Belt, LH (46" Mower)
0490	1736505YP	1	COVER, Belt, LH (52" Mower)
0480	1735752YP	1	COVER, Belt, RH
0500	703228	7	SCREW, Thread Roll, 5/16-18 x 3/4
0501	1737279BMYP	1	BAFFLE, Pinchoff
0510	1930600SM	2	SCREW, Hex Washer Head, Taptite, 5/16-18 x 1-1/2
0520	1736898YP	1	CONNECTOR, Washout Port (Not Illustrated)
0530	1735716YP	1	ADAPTER, Washout Port
0540	703297	2	RETAINER, 5/16, GR5
0580	703302	3	WASHER, Flat, 5/16

Footnotes

The above parts group applies to the following Mfg. Nos.:

1696586-00 - 46" Mower

2691262-00 - Regent EX2246

Not for
Reproduction

Not for
Reproduction

Not for
Reproduction

Hardware Identification & Torque Specifications

Torque Specification Chart								
FOR STANDARD METRIC MACHINE HARDWARE (Tolerance ± 20%)								
Property Class	5.6		8.8		10.9		12.9	
	Class 5.6		Class 8.8		Class 10.9		Class 12.9	
Size Of Hardware	in/lbs	Nm.	in/lbs	Nm.	in/lbs	Nm.	in/lbs	Nm.
	ft/lbs		ft/lbs		ft/lbs		ft/lbs	
M3	5.88	.56	13.44	1.28	19.2	1.80	22.92	2.15
M4	13.44	1.28	30.72	2.90	43.44	4.10	52.56	4.95
M5	26.4	2.50	60.96	5.75	5.97	8.10	7.15	9.7
M6	44.64	4.3	7.3	9.9	10.3	14	12.1	16.5
M7	5.2	7.1	12.1	16.5	16.9	23	19.9	27
M8	7.7	10.5	17.7	24	25	34	29	40
M10	15	21	35	48	50	67	59	81
M12	26	36	61	83	86.2	117	103	140
M14	42	58	101	132	136	185	162	220
M16	64	88	147	200	210	285	250	340
M18	89	121	202	275	287	390	346	470
M20	126	171	290	390	405	550	486	660
M22	169	230	390	530	559	745	656	890
M24	217	295	497	375	708	960	840	1140
M27	320	435	733	995	1032	1400	1239	1680
M30	435	590	995	1350	1401	1900	1681	2280
M33	590	800	1349	1830	1902	2580	2278	3090
M36	759	1030	1740	2360	2441	3310	2935	3980
M39	988	1340	2249	3050	3163	4290	3798	5150

Torque Specification Chart						
FOR STANDARD MACHINE HARDWARE (Tolerance ± 20%)						
Hardware Grade	No Marks		SAE Grade 5		SAE Grade 8	
	SAE Grade 2		SAE Grade 5		SAE Grade 8	
Size Of Hardware	in/lbs	Nm.	in/lbs	Nm.	in/lbs	Nm.
	ft/lbs		ft/lbs		ft/lbs	
8-32	19	2.1	30	3.4	41	4.6
8-36	20	2.3	31	3.5	43	4.9
10-24	27	3.1	43	4.9	60	6.8
10-32	31	3.5	49	5.5	68	7.7
1/4-20	66	7.6	8	10.9	12	16.3
1/4-28	76	8.6	10	13.6	14	19.0
5/16-18	11	15.0	17	23.1	25	34.0
5/16-24	12	16.3	19	25.8	29	34.0
3/8-16	20	27.2	30	40.8	45	61.2
3/8-24	23	31.3	35	47.6	50	68.0
7/16-14	30	40.8	50	68.0	70	95.2
7/16-20	35	47.6	55	74.8	80	108.8
1/2-13	50	68.0	75	102.0	110	149.6
1/2-20	55	74.8	90	122.4	120	163.2
9/16-12	65	88.4	110	149.6	150	204.0
9/16-18	75	102.0	120	163.2	170	231.2
5/8-11	90	122.4	150	204.0	220	299.2
5/8-18	100	136	180	244.8	240	326.4
3/4-10	160	217.6	260	353.6	386	525.0
3/4-16	180	244.8	300	408.0	420	571.2
7/8-9	140	190.4	400	544.0	600	816.0
7/8-14	155	210.8	440	598.4	660	897.6
1-8	220	299.2	580	788.8	900	1,244.0
1-12	240	326.4	640	870.4	1,000	1,360.0

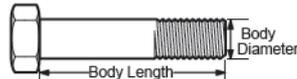
The guides and ruler furnished below are designed to help you select the appropriate hardware.



Nut, M8

Thread Diameter (mm)
Inside Diameter (in) Threads per inch

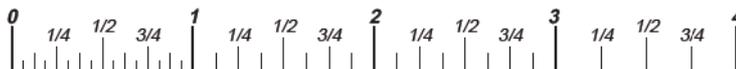
Nut, 1/2-16



Screw, M8- 1.25 x 25

Thread Diameter (mm) Distance between threads (mm) Body Length (mm)
Body Diameter Threads per inch Body Length (in)

Screw, 1/2- 16 x 2



Standard Hardware Sizing

When a washer or nut is identified as 1/2" (M8), this is the *Nominal size*, meaning the *inside diameter* is 1/2 inch (8mm metric thread diameter); if a second number is present it represents the *threads per inch* (distance between threads).

When bolt or capscrew is identified as 1/2 - 16 x 2" (M8 - 1.25 x 50), this means the *Nominal size*, or body diameter is 1/2 inch (8mm metric thread diameter), the second number, 16, represents the *threads per inch*, (1.25 thread diameter). The final number is the body length of the bolt or screw, 2 inches (50mm).

NOTES

- These torque values are to be used for all hardware excluding: locknuts, self-tapping screws, thread forming screws, sheet metal screws and socket head setscrews.
- Recommended seating torque values for locknuts:
 - for prevailing torque locknuts - use 65% of grade 5 torques.
 - for flange whizlock nuts and screws - use 135% of grade 5 torques.
- Unless otherwise noted on assembly drawings, all torque values must meet this specification.

Common Hardware Types

Hex Head Capscrew



Washer

Lockwasher

Carriage Bolt



Hex Nut

Wrench & Fastener Size Guide

1/4" Bolt or Nut Wrench—7/16"	5/16" Bolt or Nut Wrench—1/2"	3/8" Bolt or Nut Wrench—9/16"	7/16" Bolt or Nut Wrench (Bolt)—5/8" Wrench (Nut)—11/16"	1/2" Bolt or Nut Wrench—3/4"
M6 Bolt or Nut Wrench—10mm	M8 Bolt or Nut Wrench—13mm	M10 Bolt or Nut Wrench—17mm	M12 Bolt or Nut Wrench—19mm	M14 Bolt or Nut Wrench—22mm

Not for
Reproduction

**IT IS THE POLICY OF BRIGGS & STRATTON CORP. TO IMPROVE ITS PRODUCTS
WHENEVER IT IS POSSIBLE AND PRACTICAL TO DO SO. WE RESERVE THE RIGHT TO
MAKE CHANGES OR ADD IMPROVEMENTS AT ANY TIME WITHOUT INCURRING ANY
OBLIGATION TO MAKE SUCH CHANGES ON PRODUCTS.**

Briggs & Stratton Yard Power Products Group

3515 N. 124 Street / PO Box 702
Wauwatosa, WI 53222 USA

www.simplicitymfg.com

© Copyright 2015 by Briggs & Stratton Corporation
Milwaukee, WI, USA. All rights reserved

